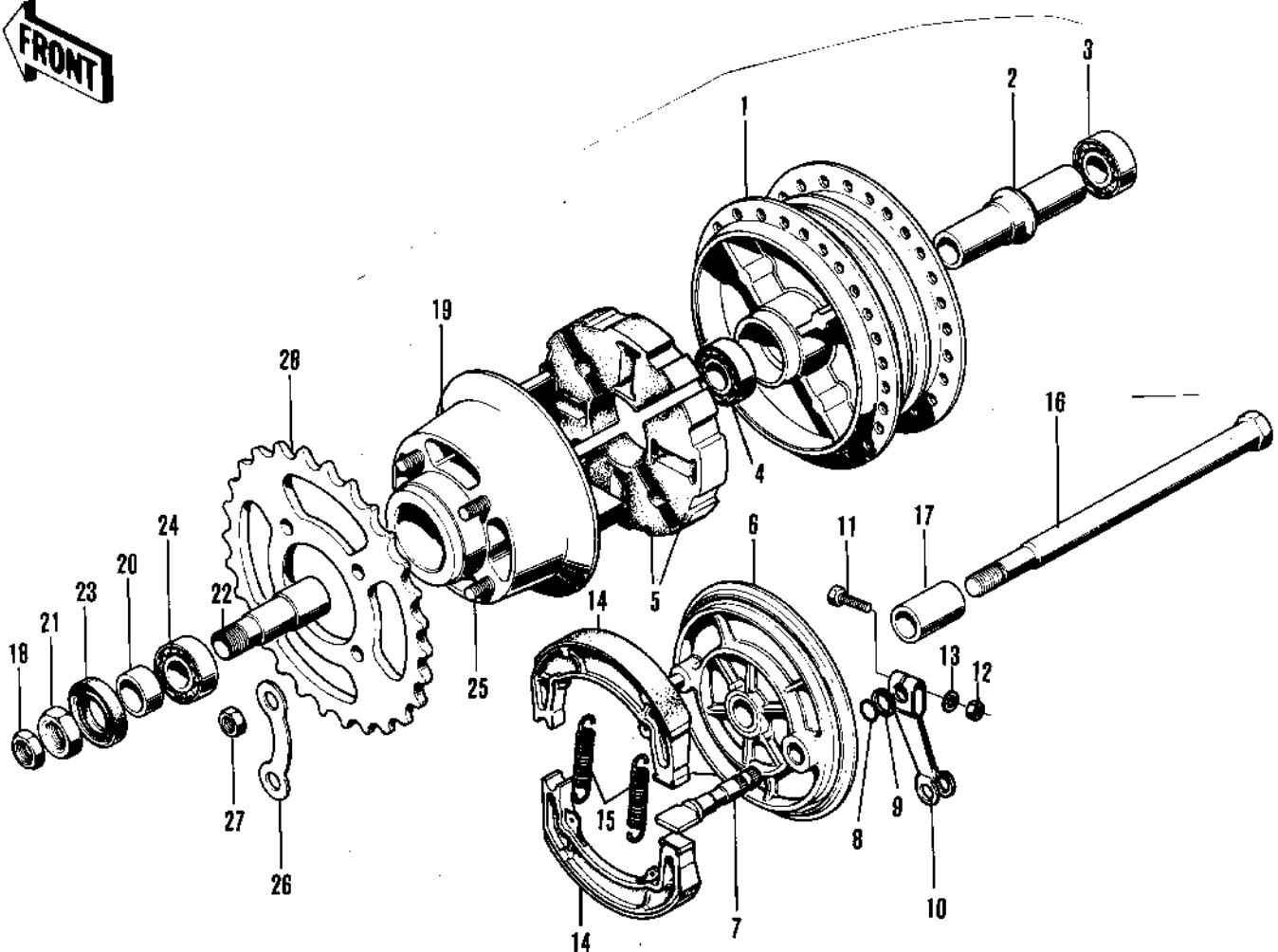


1974 G3SS-D PARTS DIAGRAM

REAR HUB/BRAKE (G3TR/A) ('69-'73)



Ref. I

- 1 ~
- 2
- 3
- 4
- 5
- 6 ~
- 7
- 8
- 9
- 10
- 11
- 12
- 13
- 14
- 15
- 16
- 17
- 18
- 19 ~
- 20
- 21
- 22
- 23
- 24
- 25
- 26
- 27
- 28

1974 G3SS-D PARTS LIST

REAR HUB/BRAKE (G3TR/A) ('69-'73)

| ITEM NAME | PART NUMBER | QUANTITY |
|------------------------------------|--------------|----------|
| DRUM ASSY,RR BRK,BUFF (Ref # 1~5) | 42005-031-80 | 1 |
| SPACER-RR HUB BEARING (Ref # 2) | 42010-005 | 1 |
| BEARING BALL #6301Z (Ref # 3) | 601B6301Z | 1 |
| BEARING BALL #6201 (Ref # 4) | 601B6201 | 1 |
| DAMPER REAR HUB SHOCK (Ref # 5) | 42014-016 | 4 |
| PANEL ASSY-REAR BRAKE (Ref # 6~15) | 42006-014 | 1 |
| CAM SHAFT-FRONT BRAKE (Ref # 7) | 41050-018 | 1 |
| "0" RING,11MM (Ref # 8) | 92055-004 | 1 |
| WASHER BRAKE CAM SHT (Ref # 9) | 41052-001 | 1 |
| LEVER,FRONT BRAKE CAM (Ref # 10) | 41053-002 | 1 |
| BOLT-UPSET (Ref # 11) | 112G0630 | 1 |
| NUT 6MM (Ref # 12) | 311B0600 | 1 |
| WASHER PLAIN 6MM (Ref # 13) | 410B0600 | 1 |
| SHOE-BRAKE (Ref # 14) | 41048-1085 | 2 |
| SPRING,BRAKE SHOE (Ref # 15) | 92081-1766 | 2 |
| AXLE,12X215 (Ref # 16) | 41068-1109 | 1 |
| COLLAR-REAR HUB R.H (Ref # 17) | 42032-002 | 1 |
| NUT 10MM (Ref # 18) | 42045-005 | 1 |
| COUPLING ASSY RR HUB (Ref # 19~24) | 42033-011 | 1 |
| BUSH,COUPLNG OIL SEAL (Ref # 20) | 42037-003 | 1 |
| NUT,16MM (Ref # 21) | 42045-004 | 1 |
| SLEEVE-RR HUB COUPLNG (Ref # 22) | 42036-002 | 1 |
| OIL SEAL-COUPLING (Ref # 23) | 92052-003 | 1 |
| BEARING BALL #6203 (Ref # 24) | 601B6203 | 1 |
| BOLT REAR SPROCKET (Ref # 25) | 92001-082 | 4 |
| WASHER LOCK (Ref # 26) | 92088-011 | 2 |
| NUT 10MM (Ref # 27) | 315B1000 | 4 |
| REAR SPROCKET 42T (Ref # 28) | 42041-076 | 1 |