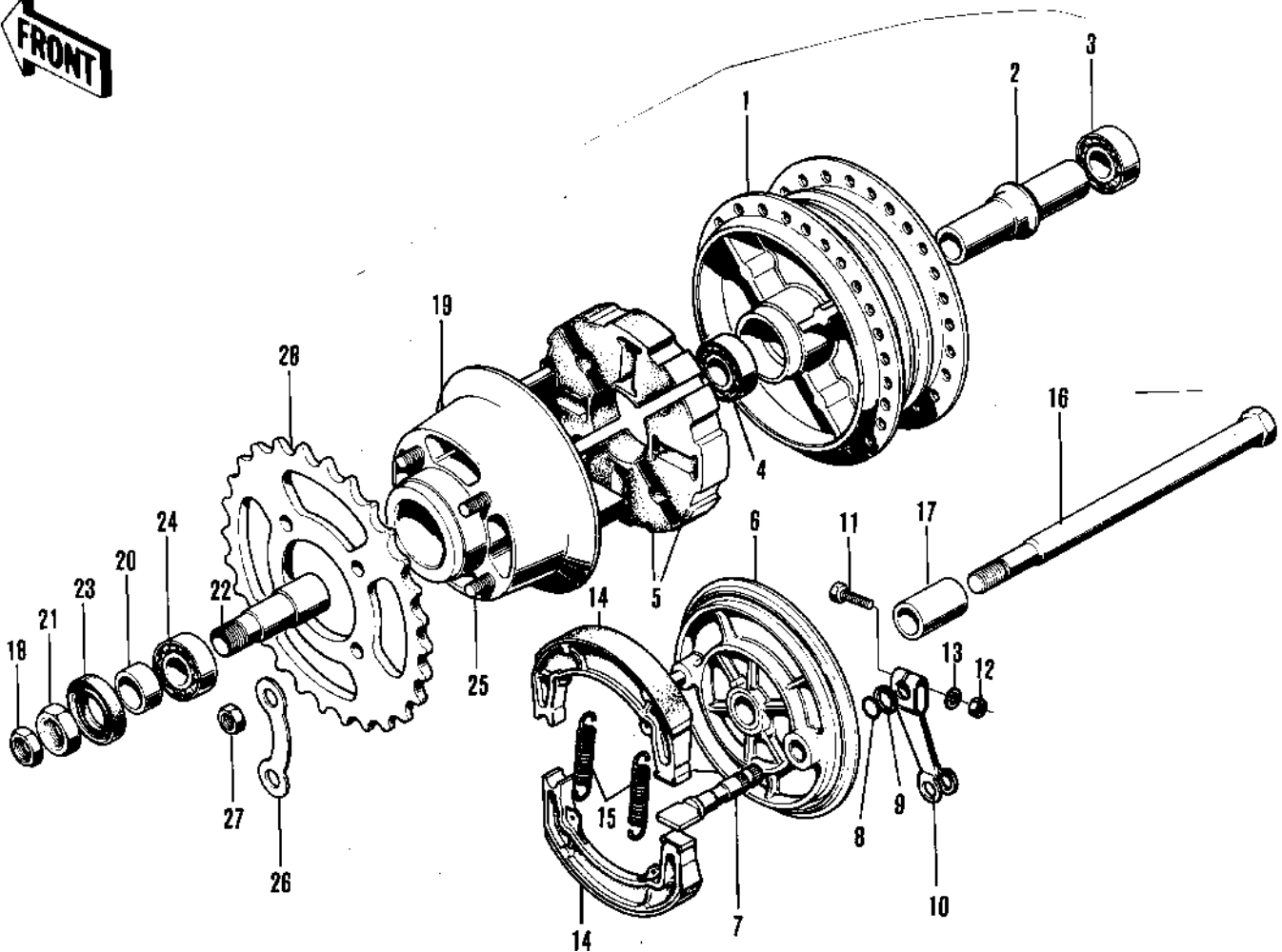


# 1969 Bushmaster PARTS DIAGRAM

REAR HUB/BRAKE (G3TR/A) ('69-'73)



Ref. I

- 1 ~
- 2
- 3
- 4
- 5
- 6 ~
- 7
- 8
- 9
- 10
- 11
- 12
- 13
- 14
- 15
- 16
- 17
- 18
- 19 ~
- 20
- 21
- 22
- 23
- 24
- 25
- 26
- 27
- 28

# 1969 Bushmaster PARTS LIST

REAR HUB/BRAKE (G3TR/A) ('69-'73)

ITEM NAME	PART NUMBER	QUANTITY
DRUM ASSY,RR BRK,BUFF (Ref # 1~5)	42005-031-80	1
SPACER-RR HUB BEARING (Ref # 2)	42010-005	1
BEARING BALL #6301Z (Ref # 3)	601B6301Z	1
BEARING BALL #6201 (Ref # 4)	601B6201	1
DAMPER REAR HUB SHOCK (Ref # 5)	42014-016	4
PANEL ASSY-REAR BRAKE (Ref # 6~15)	42006-014	1
CAM SHAFT-FRONT BRAKE (Ref # 7)	41050-018	1
"0" RING,11MM (Ref # 8)	92055-004	1
WASHER BRAKE CAM SHT (Ref # 9)	41052-001	1
LEVER,FRONT BRAKE CAM (Ref # 10)	41053-002	1
BOLT-UPSET (Ref # 11)	112G0630	1
NUT 6MM (Ref # 12)	311B0600	1
WASHER PLAIN 6MM (Ref # 13)	410B0600	1
SHOE-BRAKE (Ref # 14)	41048-1085	2
SPRING,BRAKE SHOE (Ref # 15)	92081-1766	2
AXLE,12X215 (Ref # 16)	41068-1109	1
COLLAR-REAR HUB R.H (Ref # 17)	42032-002	1
NUT 10MM (Ref # 18)	42045-005	1
COUPLING ASSY RR HUB (Ref # 19~24)	42033-011	1
BUSH,COUPLNG OIL SEAL (Ref # 20)	42037-003	1
NUT,16MM (Ref # 21)	42045-004	1
SLEEVE-RR HUB COUPLNG (Ref # 22)	42036-002	1
OIL SEAL-COUPLING (Ref # 23)	92052-003	1
BEARING BALL #6203 (Ref # 24)	601B6203	1
BOLT REAR SPROCKET (Ref # 25)	92001-082	4
WASHER LOCK (Ref # 26)	92088-011	2
NUT 10MM (Ref # 27)	315B1000	4
REAR SPROCKET 42T (Ref # 28)	42041-076	1