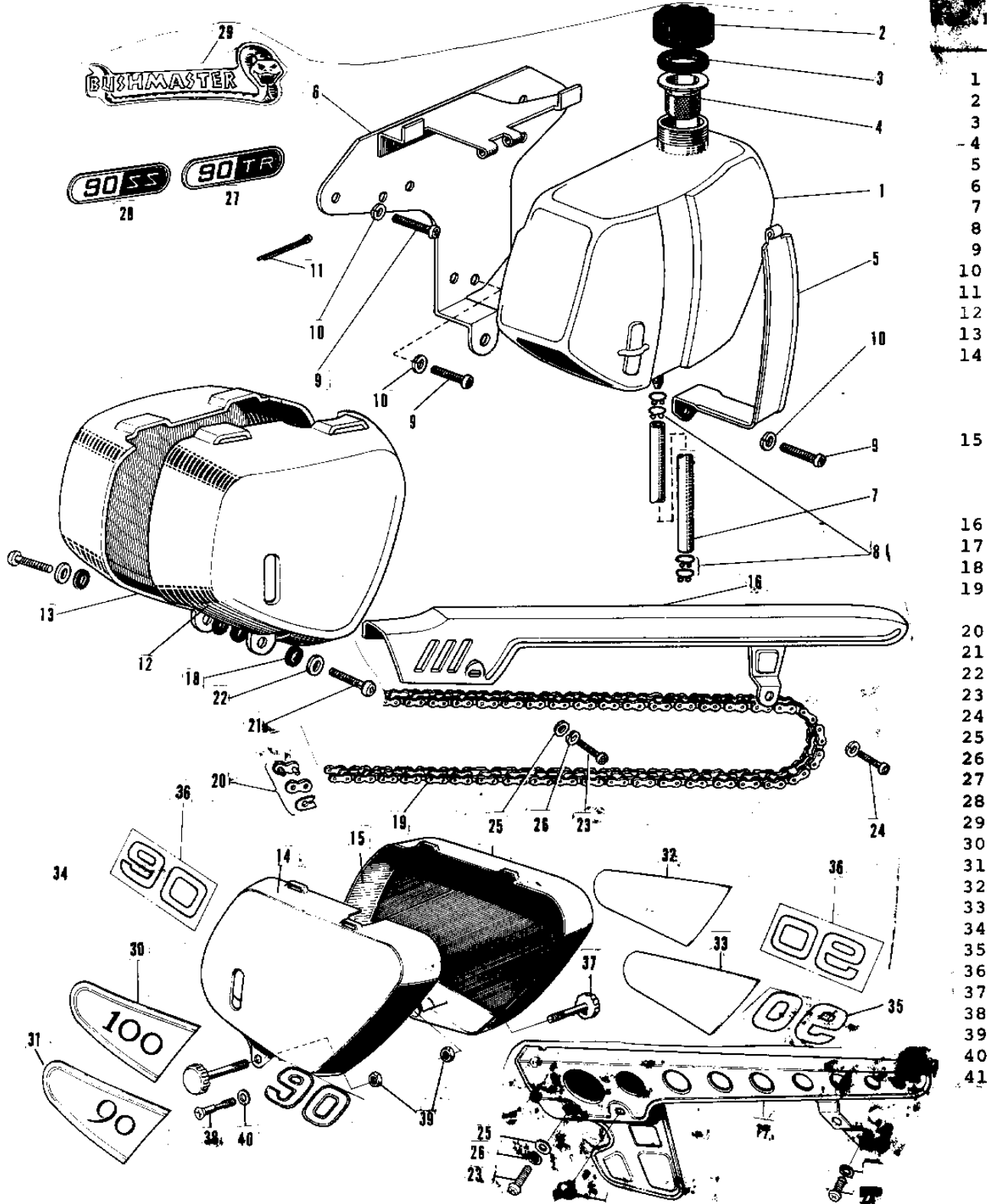


1973 G3SS-C PARTS DIAGRAM

OIL TANK/CHAIN COVER/CHAIN/SIDE COVER (



1973 G3SS-C PARTS LIST

OIL TANK/CHAIN COVER/CHAIN/SIDE COVER ('

ITEM NAME	PART NUMBER	QUANTITY
TANK OIL (Ref # 1)	52001-004	1
CAP OIL TANK (Ref # 2)	52003-002	1
GASKET OIL TANK CAP (Ref # 3)	92065-020	1
STRAINER OIL TANK CAP (Ref # 4)	52004-002	1
BAND OIL TANK (Ref # 5)	32100-007	1
BRACKET OIL TANK (Ref # 6)	32094-001	1
PIPE OIL TANK (Ref # 7)	92059-008	1
CLAMP FUEL PIPE (Ref # 8)	92037-010	4
SCREW PAN HEAD 6X12 (Ref # 9)	220B0612	4
WASHER SPRING 6MM (Ref # 10)	461F0600	4
PIN COTTER 3.0X30 (Ref # 11)	550D3030	1
COVER L.H SIDE WHITE (Ref # 12)	36001-013-17	1
COVER,RH SIDE,WHITE (Ref # 13)	36007-014-17	1
COVER-L.H SIDE,ORANGE (Ref # 14)	36001-026-55	1
COVER,RH SIDE,ORANGE (Ref # 15)	36007-023-55	1
COVER CHAIN (Ref # 16)	36014-024	1
CASE-CHAIN,BLACK (Ref # 17)	36014-037-21	1
DAMPER RUBB SIDE COV (Ref # 18)	92075-041	4
DR CHAIN 428X106 (Ref # 19)	92057-036	1
JOINT-CHAIN (Ref # 20)	92058-1014	1
SCREW PAN HEAD (Ref # 21)	92011-020	2
WASHER PLAIN 6MM (Ref # 22)	411B0600	2
SCREW PAN HEAD 5X8 (Ref # 23)	220B0508	1
SCREW PAN HEAD 5X12 (Ref # 24)	220B0512	1
WASHER PLAIN 5MM (Ref # 25)	410B0500	1
WASHER SPRING 5MM (Ref # 26)	461F0500	2
EMBLEM SIDE COVER (Ref # 27)	56018-015	2
EMBLEM-SIDE COVER (Ref # 29)	56018-026	1
EMBLEM-L.H,ORANGE (Ref # 30)	56018-066-61	1

1973 G3SS-C PARTS LIST

OIL TANK/CHAIN COVER/CHAIN/SIDE COVER ('

ITEM NAME	PART NUMBER	QUANTITY
EMBLEM-R.H,PURPLE (Ref # 32)	56018-067-61	1
KNOB (Ref # 37)	92077-019	1
SCREW-PAN HEAD (Ref # 38)	92011-021	1
NUT 6MM (Ref # 39)	312B0600	2
WASHER PLAIN (Ref # 40)	92022-024	1
PLUG-RUBBER (Ref # 41)	92074-018	1