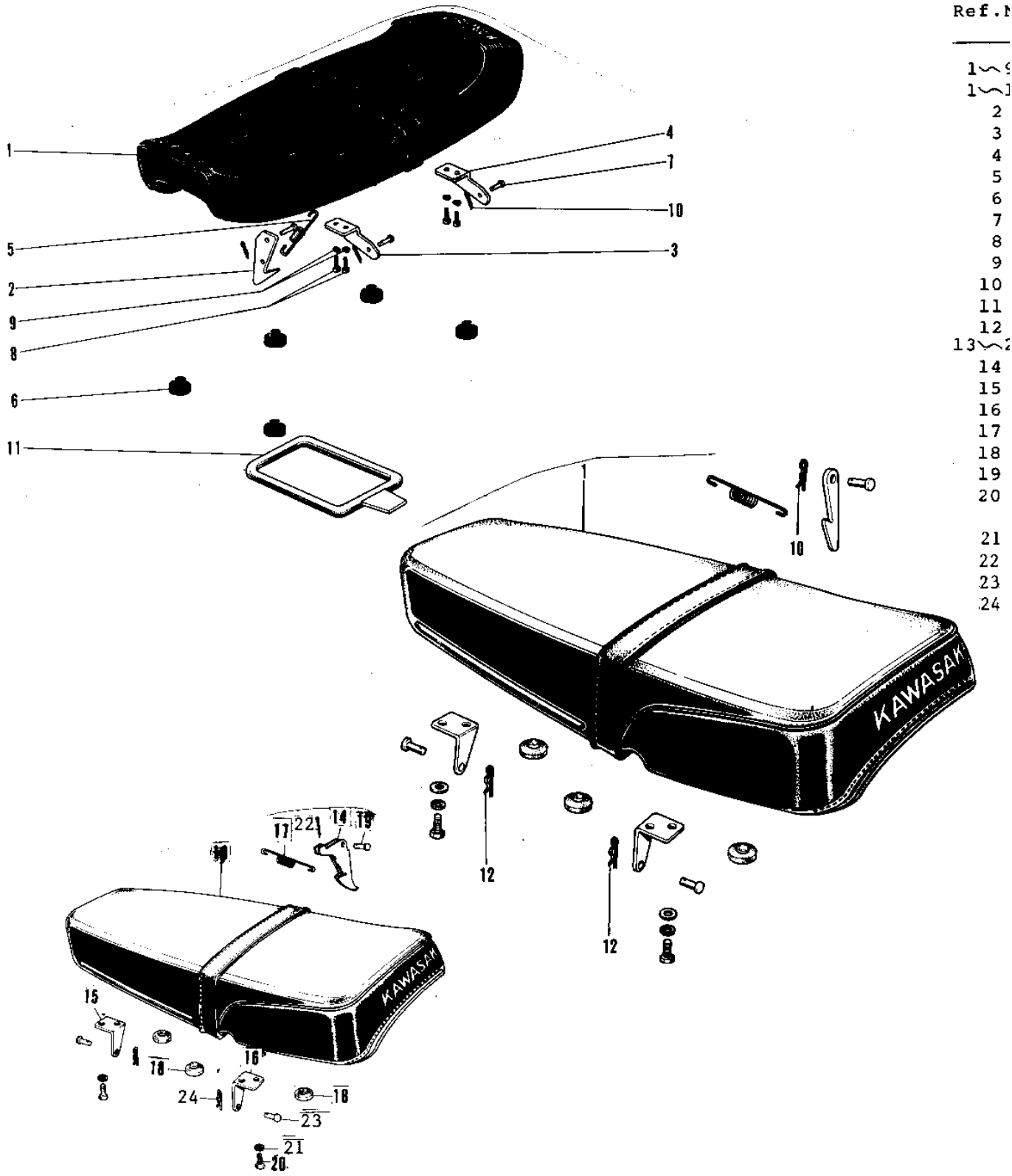


# 1969 G3SS PARTS DIAGRAM

SEAT ('69-'73)



Ref. No.	Part Description
1	Seat Cushion
2	Bracket
3	Bracket
4	Bracket
5	Bracket
6	Bracket
7	Bracket
8	Bracket
9	Bracket
10	Bracket
11	Seat Base
12	Bracket
13	Bracket
14	Bracket
15	Bracket
16	Bracket
17	Bracket
18	Bracket
19	Bracket
20	Bracket
21	Bracket
22	Bracket
23	Bracket
24	Bracket

# 1969 G3SS PARTS LIST

SEAT ('69-'73)

ITEM NAME	PART NUMBER	QUANTITY
-----------	-------------	----------