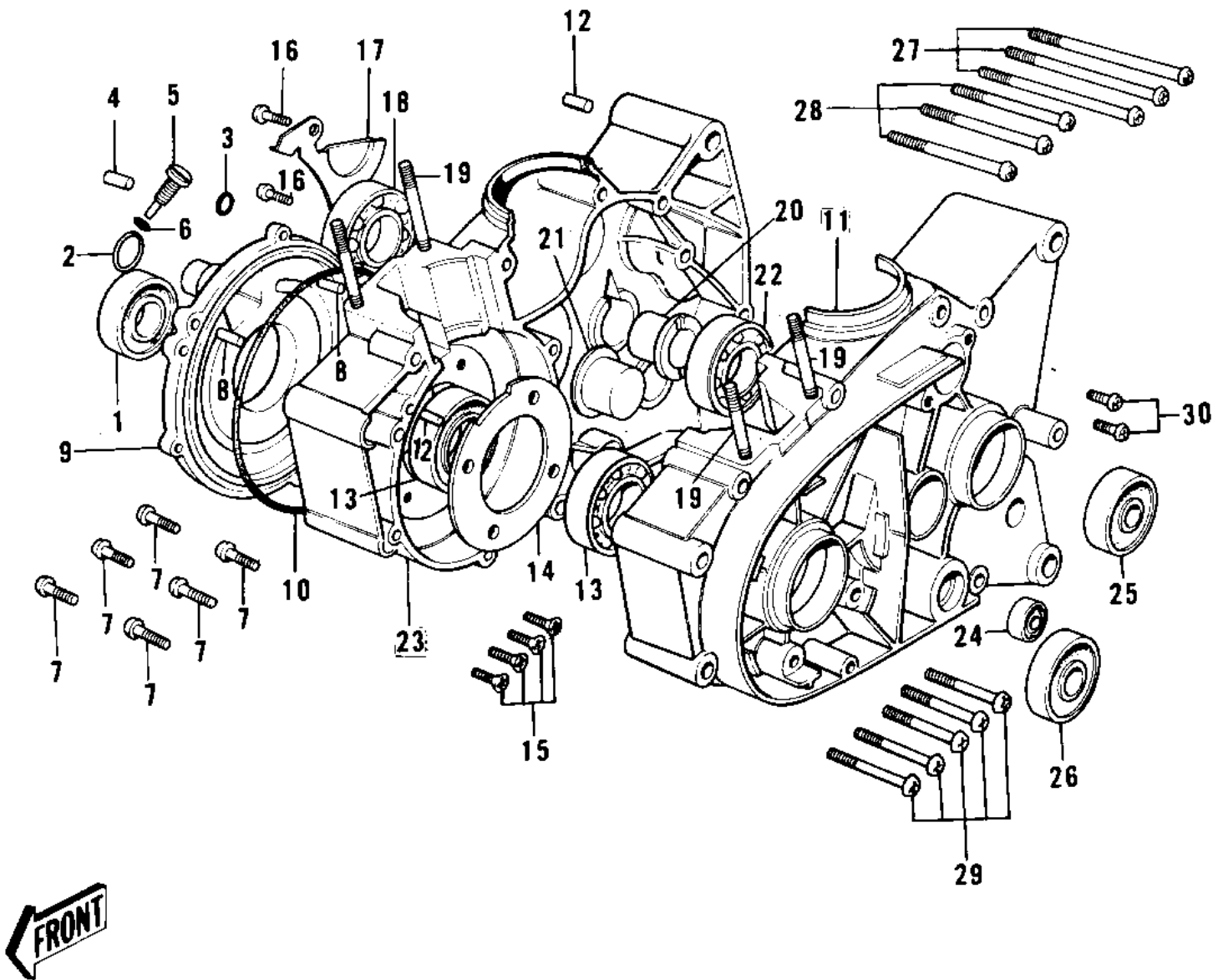


1970 Bushmaster PARTS DIAGRAM

CRANKCASE ('74-'75)



1970 Bushmaster PARTS LIST

CRANKCASE ('74-'75)

| ITEM NAME | PART NUMBER | QUANTITY |
|--------------------------------------|-------------|----------|
| SEAL-OIL (Ref # 1) | 92049-1250 | 1 |
| "0" RING,26MM (Ref # 2) | 670B3026 | 1 |
| "0" RING,8MM (Ref # 3) | 92055-029 | 1 |
| PIN DOWEL 8X16 (Ref # 4) | 92042-017 | 1 |
| NOZZLE OIL INJECTION (Ref # 5) | 92062-004 | 1 |
| "0" RING,5MM (Ref # 6) | 92055-011 | 1 |
| SCREW PAN HEAD 6X20 (Ref # 7) | 220B0620 | 6 |
| PIN DOWEL 5X12 (Ref # 8) | 610A0512 | 2 |
| COVER ROTARY DISC VLV (Ref # 9) | 14019-032 | 1 |
| "0" RING,100MM (Ref # 10) | 92055-010 | 1 |
| CRANKCASE,L.H. (Ref # 11) | 14002-1072 | 1 |
| PIN DOWEL 8X16 (Ref # 12) | 551A0816 | 3 |
| BEARING BALL #6204 (Ref # 13) | 601B6204 | 2 |
| HOLDER CRANKSHAFT BRG (Ref # 14) | 14014-017 | 1 |
| SCREW CNTSNK HD 6X16 (Ref # 15) | 221B0616 | 4 |
| SCREW PAN HEAD 6X12 (Ref # 16) | 220B0612 | 2 |
| HOLDER BEARING MSSON (Ref # 17) | 14014-008 | 1 |
| BEARING BALL #6005 (Ref # 18) | 601B6005 | 1 |
| STUD 8X115 (Ref # 19) | 172G08115 | 4 |
| BUSH DRIVE SHAFT (Ref # 20) | 92028-069 | 1 |
| BUSH OUTPUT SHAFT (Ref # 21) | 92028-025 | 1 |
| BEARING BALL #6004 (Ref # 22) | 601B6004 | 1 |
| CRANKCASE,R.H (Ref # 23) | 14003-063 | 1 |
| OIL SEAL SB12205 (Ref # 24) | 92049-004 | 1 |
| OIL SEAL SC25376 (Ref # 25) | 92050-013 | 1 |
| SEAL-OIL (Ref # 26) | 92049-1240 | 1 |
| UNAVAILABLE IN PRICE BOOK (Ref # 27) | 220B0663 | 3 |
| SCREW PAN HEAD 6X60 (Ref # 28) | 220B0660 | 3 |
| SCREW PAN HEAD 6X40 (Ref # 29) | 220B0640 | 5 |

1970 Bushmaster PARTS LIST

CRANKCASE ('74-'75)

| ITEM NAME | PART NUMBER | QUANTITY |
|--------------------------------|-------------|----------|
| SCREW PAN HEAD 6X25 (Ref # 30) | 220B0625 | 2 |