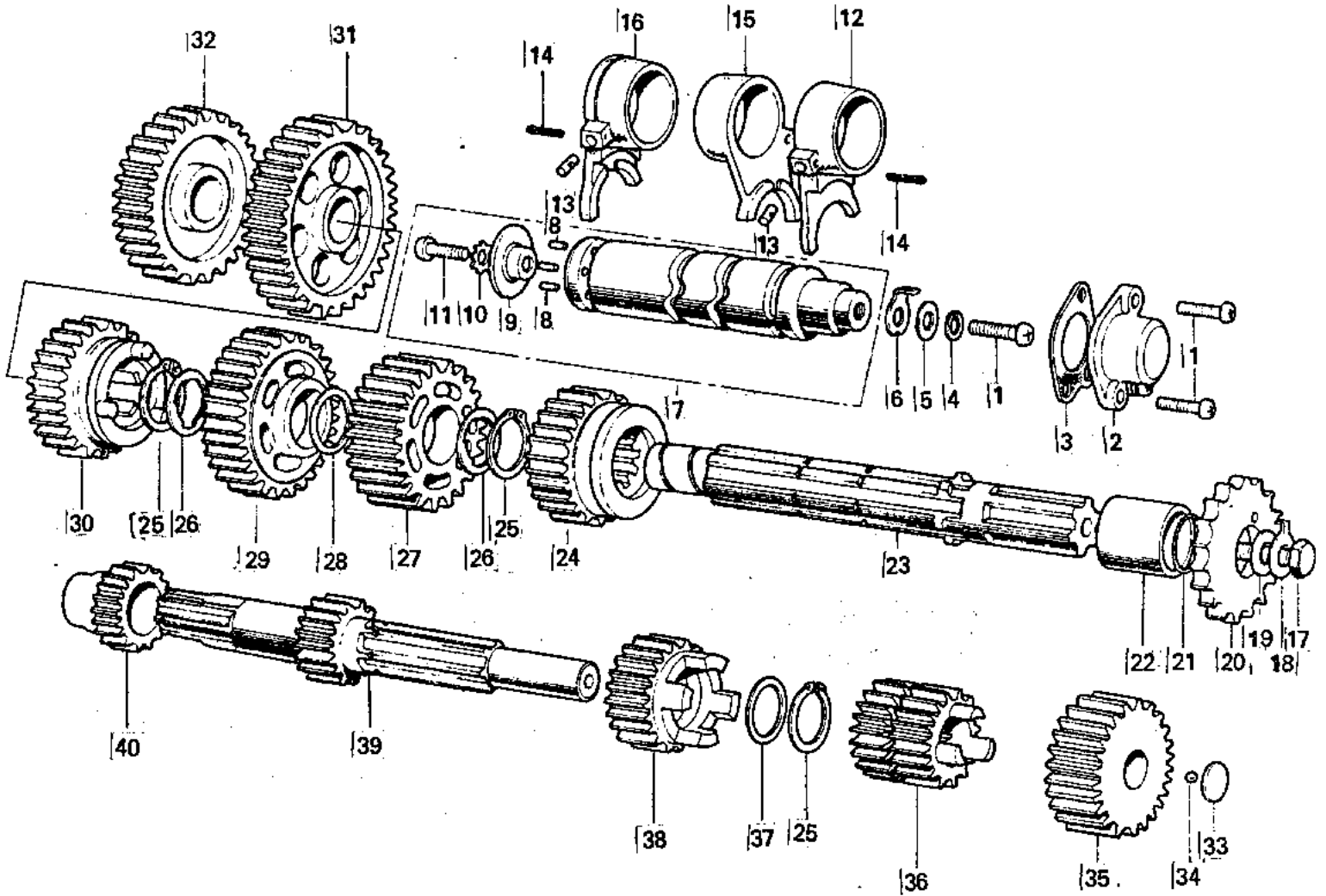


# 1969 Bushmaster PARTS DIAGRAM

TRANSMISSION/CHANGE DRUM ('74-'75)



# 1969 Bushmaster PARTS LIST

## TRANSMISSION/CHANGE DRUM ('74-'75)

ITEM NAME	PART NUMBER	QUANTITY
SCREW PAN HEAD 6X16 (Ref # 1)	220B0616	3
SWITCH,NEUTRAL (Ref # 2)	13151-1001	1
GASKET NEUTRAL SWITCH (Ref # 3)	13146-002	1
WASHER SPRING 6MM (Ref # 4)	461F0600	1
WASHER PLAIN 6MM (Ref # 5)	410B0600	1
ROTOR,NEUTRAL INDICTR (Ref # 6)	21007-1003	1
DRUM ASSY-GEAR CHANGE (Ref # 7)	13239-005	1
PIN GEAR CHANGE DRUM (Ref # 8)	92042-014	6
PLATE CHANGE DRUM PIN (Ref # 9)	13142-008	1
WASHER LOCK 6MM (Ref # 10)	464H0600	1
SCREW PAN HEAD 6X12 (Ref # 11)	220B0612	1
FORK SELECTOR 3RD (Ref # 12)	13140-009	1
PIN SELECT FORK GUIDE (Ref # 13)	92043-005	3
PIN COTTER 3.0X20 (Ref # 14)	550D3020	3
FORK SELECTOR 4TH-TOP (Ref # 15)	13140-017	1
FORK SELECTOR LOW-2ND (Ref # 16)	13140-010	1
BOLT-SMALL-UPSET,8X16 (Ref # 17)	115G0816	1
WASHER,LOCK,8MM (Ref # 18)	92030-012	1
WASHER,ENGINE SPRCKT (Ref # 19)	92022-266	1
SPROCKET-OUTPUT,14T (Ref # 20)	13144-1058	1
ENGINE SPROCKET,13T (Ref # 20)	13144-053	(1
ENGINE SPROCKET,1ST (Ref # 20)	13144-054	(1
"0" RING (Ref # 21)	92055-022	1
COLLAR,ENG NPROCKET (Ref # 22)	92027-179	1
SHAFT OUTPUT (Ref # 23)	13128-021	1
TOP GEAR OUTPUT SHAFT (Ref # 24)	13137-012	1
CIRCLIP (Ref # 25)	92033-014	3
WASHER-LOCK (Ref # 26)	92024-030	2
3RD GEAR OUTPUT SHAFT (Ref # 27)	13133-005	1

# 1969 Bushmaster PARTS LIST

## TRANSMISSION/CHANGE DRUM ('74-'75)

ITEM NAME	PART NUMBER	QUANTITY
WASHER THRUST (Ref # 28)	92022-146	1
2ND GEAR OUTPUT SHAFT (Ref # 29)	13131-008	1
GEAR-TRANSMISSION SPU (Ref # 30)	13129-1708	1
LOW GEAR OUTPUT SHAFT (Ref # 31)	13129-010	1
IDLE GEAR (Ref # 32)	13073-004	1
WASHER THRUST (Ref # 33)	92022-115	1
BALL STEEL 7/32' (Ref # 34)	600A0700	1
GEAR,INPUT TOP,24T (Ref # 35)	13129-1927	1
2ND&3RD GEAR,DRIVE (Ref # 36)	13129-1052	1
WASHER THRUST (Ref # 37)	92022-118	1
4TH GEAR,DRIVE (Ref # 38)	13129-1053	1
SHAFT,DRIVE (Ref # 39)	13127-032	1
PINION KICKSTARTER (Ref # 40)	13075-004	1