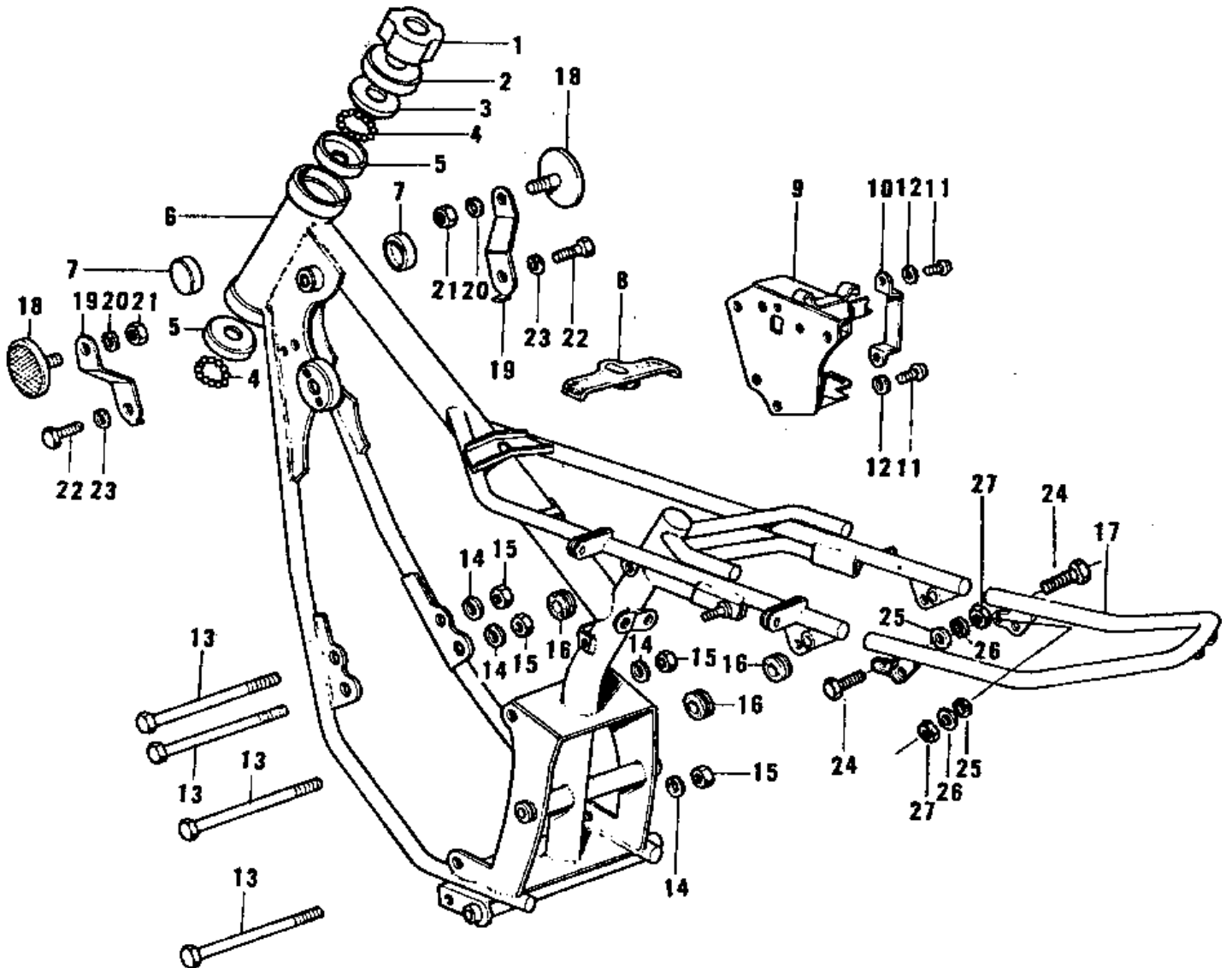


1973 G3SS-C PARTS DIAGRAM

FRAME/FRAME FITTINGS ('74-'75)



1973 G3SS-C PARTS LIST

FRAME/FRAME FITTINGS ('74-'75)

| ITEM NAME | PART NUMBER | QUANTITY |
|----------------------------------|-------------|----------|
| NUT STEERING STEM LCK (Ref # 1) | 92090-006 | 1 |
| CAP STEERING STEM (Ref # 2) | 46098-004 | 1 |
| CONE,STRG STM BRG,UP (Ref # 3) | 92047-014 | 1 |
| BALL STEEL 3/16' (Ref # 4) | 600A0600 | 46 |
| RACE,STRG STM BEARING (Ref # 5) | 92048-009 | 2 |
| FRAME (Ref # 6) | 32002-064 | 1 |
| FRAME (Ref # 6) | 32002-106 | 1 |
| DAMPER RUBBER-FL TANK (Ref # 7) | 92075-101 | 2 |
| DAMPER RUBBER,FL TNK (Ref # 8) | 92075-226 | 1 |
| CASE,BATTERY (Ref # 9) | 32097-032 | 1 |
| BAND BATTERY (Ref # 10) | 32100-002 | 1 |
| SCREW PAN HEAD 6X12 (Ref # 11) | 220B0612 | 4 |
| WASHER SPRING 6MM (Ref # 12) | 461F0600 | 4 |
| BOLT,FLANGED,10X115 (Ref # 13) | 92001-1603 | 4 |
| WASHER SPRING 10MM (Ref # 14) | 461F1000 | 4 |
| NUT,10MM (Ref # 15) | 314B1000 | 4 |
| GROMMET (Ref # 16) | 92071-056 | 6 |
| STAY,REAR FENDER (Ref # 17) | 35032-027 | 1 |
| REFLECTOR-REFLEX (Ref # 18) | 28012-011 | 2 |
| BRACKET,REFLEX REFLCT (Ref # 19) | 28013-007 | 2 |
| WASHER SPRING 5MM (Ref # 20) | 461F0500 | 2 |
| NUT,5MM (Ref # 21) | 311B0500 | 2 |
| BOLT-UPSET,6X12 (Ref # 22) | 112G0612 | 2 |
| BOLT-UPSET,6X12 (Ref # 22) | 112G0612 | AL |
| WASHER SPRING 6MM (Ref # 23) | 461F0600 | 2 |
| BOLT (Ref # 24) | 92150-1488 | 2 |
| WASHER PLAIN 8MM (Ref # 25) | 411B0800 | 2 |
| WASHER SPRING 8MM (Ref # 26) | 461F0800 | 2 |
| NUT,8MM (Ref # 27) | 311B0800 | 2 |