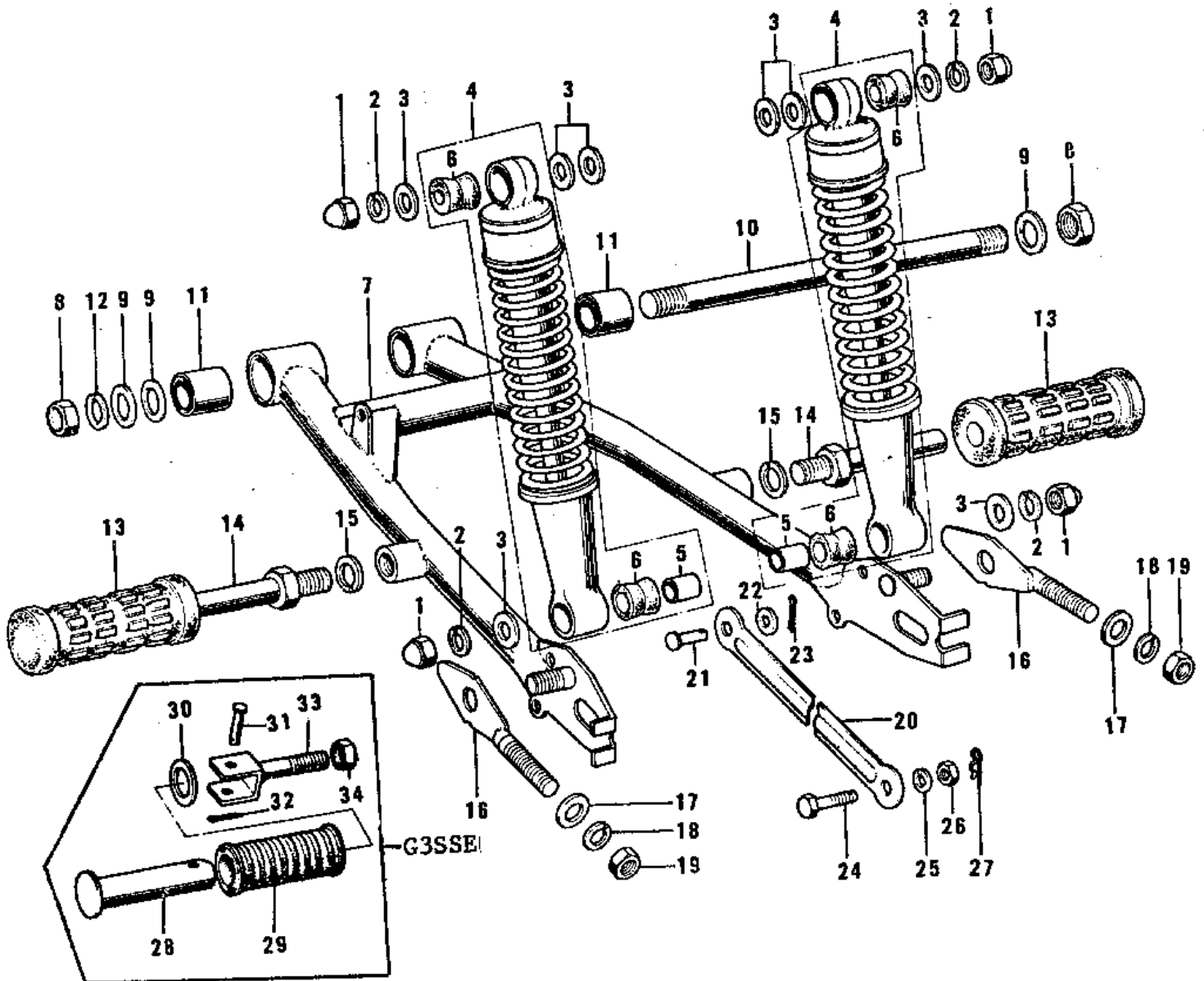


1970 Bushmaster PARTS DIAGRAM

SWING ARM/SHOCK ABSORBERS (74-75)



1970 Bushmaster PARTS LIST

SWING ARM/SHOCK ABSORBERS (74-75)

ITEM NAME	PART NUMBER	QUANTITY
NUT 12MM (Ref # 1)	92020-014	4
WASHER SPRING 12MM (Ref # 2)	461F1200	4
WASHER PLAIN 12MM (Ref # 3)	411B1200	8
SHOCK ABSBR RR (Ref # 4)	45014-038	2
BUSHING,SHOCK ABSORB (Ref # 5)	45016-007	2
BUSHING,SHOK ABN RUB (Ref # 6)	45017-014	4
ARM SWING (Ref # 7)	33001-023	1
NUT,10MM (Ref # 8)	314B1000	2
WASHER PLAIN 10MM (Ref # 9)	410B1000	3
SHAFT SWING ARM PIVOT (Ref # 10)	33032-009	1
BUSH SWING ARM SHAFT (Ref # 11)	92092-006	2
WASHER SPRING 10MM (Ref # 12)	461F1000	1
RUBBER REAR FOOTREST (Ref # 13)	92076-008	2
BAR REAR FOOTREST (Ref # 14)	34028-006	2
WASHER SPRING 12MM (Ref # 15)	461F1200	2
ADJUSTER CHAIN (Ref # 16)	33040-008	2
WASHER PLAIN 6MM (Ref # 17)	410B0600	2
WASHER SPRING 6MM (Ref # 18)	461F0600	2
NUT 6MM (Ref # 19)	311B0600	2
TORQUE LINK REAR BRK (Ref # 20)	43007-007	1
PIN REAR TORQUE LINK (Ref # 21)	43009-001	1
WASHER PLAIN 10MM (Ref # 22)	410B1000	1
PIN COTTER 2.5X20 (Ref # 23)	550D2520	1
BOLT HEX HEAD 10X25 (Ref # 24)	92003-003	1
WASHER SPRING 10MM (Ref # 25)	461F1000	1
NUT,10MM (Ref # 26)	314B1000	1
PIN,SNAP (Ref # 27)	554A0800	1
BAR-RR FOOTREST (OPT) (Ref # 28)	34028-009	2
RUBBER,REAR FOOTREST (Ref # 29)	92076-024	2

1970 Bushmaster PARTS LIST

SWING ARM/SHOCK ABSORBERS (74-75)

ITEM NAME	PART NUMBER	QUANTITY
WASHER-PLAIN (OPT) (Ref # 30)	92022-199	2
PIN (Ref # 31)	92043-1464	2
PIN COTTER 2.0X15 (Ref # 32)	550D2015	2
BRACKET,REAR FOOTREST (Ref # 33)	33028-011	2
NUT-HEX-FINE,12MM (Ref # 34)	315B1200	2