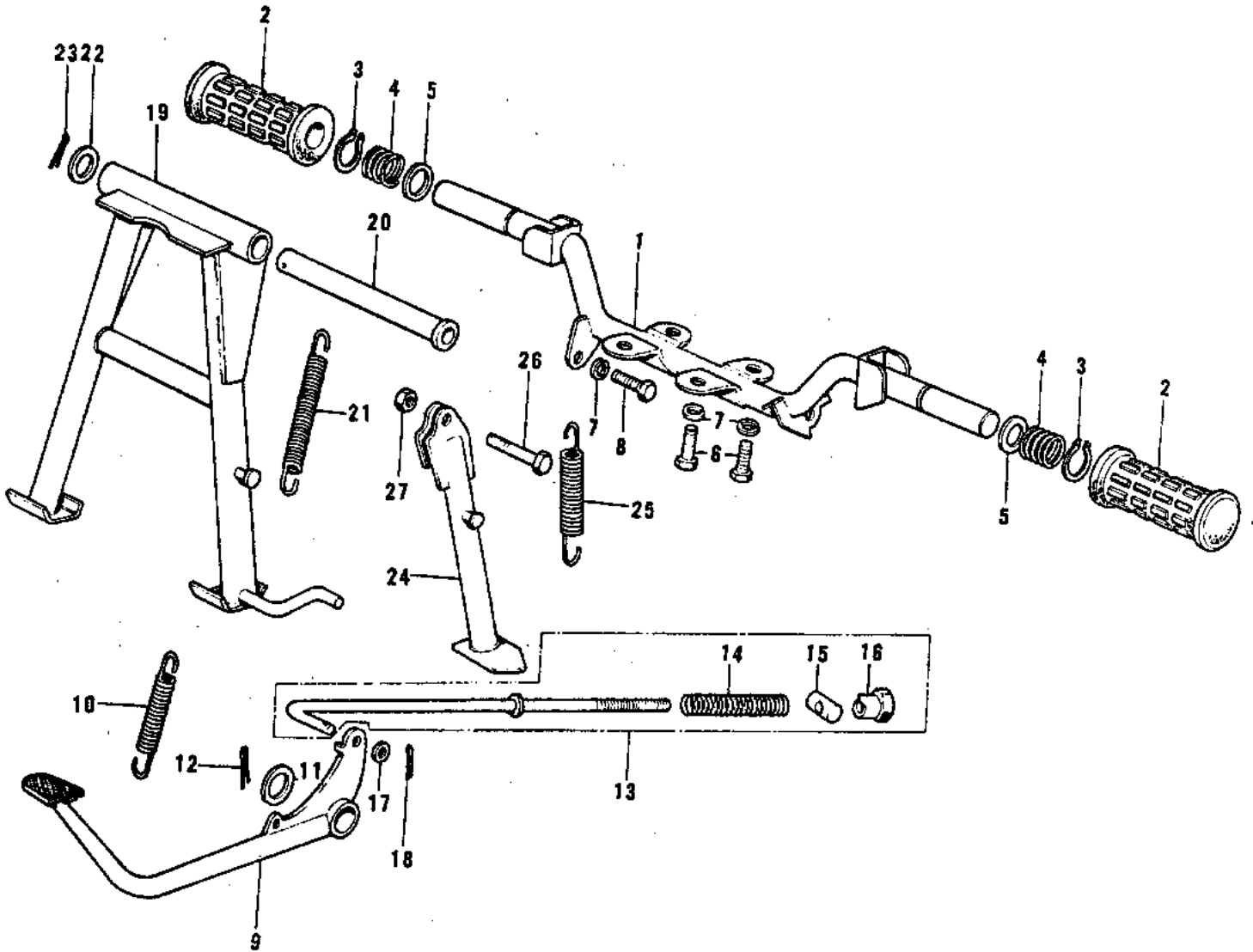


1969 G3SS PARTS DIAGRAM

FOOTRESTS/STANDS/BRAKE PEDAL ('74-'75)



1969 G3SS PARTS LIST

FOOTRESTS/STANDS/BRAKE PEDAL ('74-'75)

ITEM NAME	PART NUMBER	QUANTITY
BAR,FOOTREST (Ref # 1)	34002-048	1
RUBBER FOOTREST (Ref # 2)	92076-006	2
CIRCLIP 16MM (Ref # 3)	480J1600	2
SPRING FOOTREST PEG (Ref # 4)	34006-002	2
WASHER FOLDING PEG (Ref # 5)	92022-049	2
BOLT-SMALL-UPSET,8X16 (Ref # 6)	115G0816	4
BOLT HEX HEAD 8X16 (Ref # 6)	116B0816	AL
WASHER SPRING 8MM (Ref # 7)	461F0800	5
BOLT,8X20 (Ref # 8)	115G0820	1
BOLT,8X20 (Ref # 8)	115G0820	AL
PEDAL BRAKE (Ref # 9)	43001-014	1
SPRING BRAKE PEDAL (Ref # 10)	43005-005	1
WASHER BRAKE PEDAL (Ref # 11)	92022-085	1
PIN COTTER 3.0X30 (Ref # 12)	550D3030	1
BRAKE ROD ASSY (Ref # 13)	43010-5003	1
SPRING,BRAKE ROD (Ref # 14)	43012-001	1
PIN BRAKE (Ref # 15)	92043-039	1
NUT-BRAKE ROD ADJUST (Ref # 16)	92015-042	1
WASHER PLAIN 6MM (Ref # 17)	410B0600	1
PIN COTTER 2.0X15 (Ref # 18)	550D2015	1
STAND-MAIN (Ref # 19)	34011-1045	1
SHAFT MAIN STAND (Ref # 20)	34019-006	1
SPRING MAIN STAND (Ref # 21)	34023-005	1
WASHER BRAKE PEDAL (Ref # 22)	92022-085	1
PIN COTTER 3.0X30 (Ref # 23)	550D3030	1
STAND-SIDE (Ref # 24)	34024-053	1
SPRING,SIDE STAND (Ref # 25)	34025-001	1
BOLT,HEX HEAD,10X25 (Ref # 26)	113G1025	1
NUT 10MM (Ref # 27)	315B1000	1