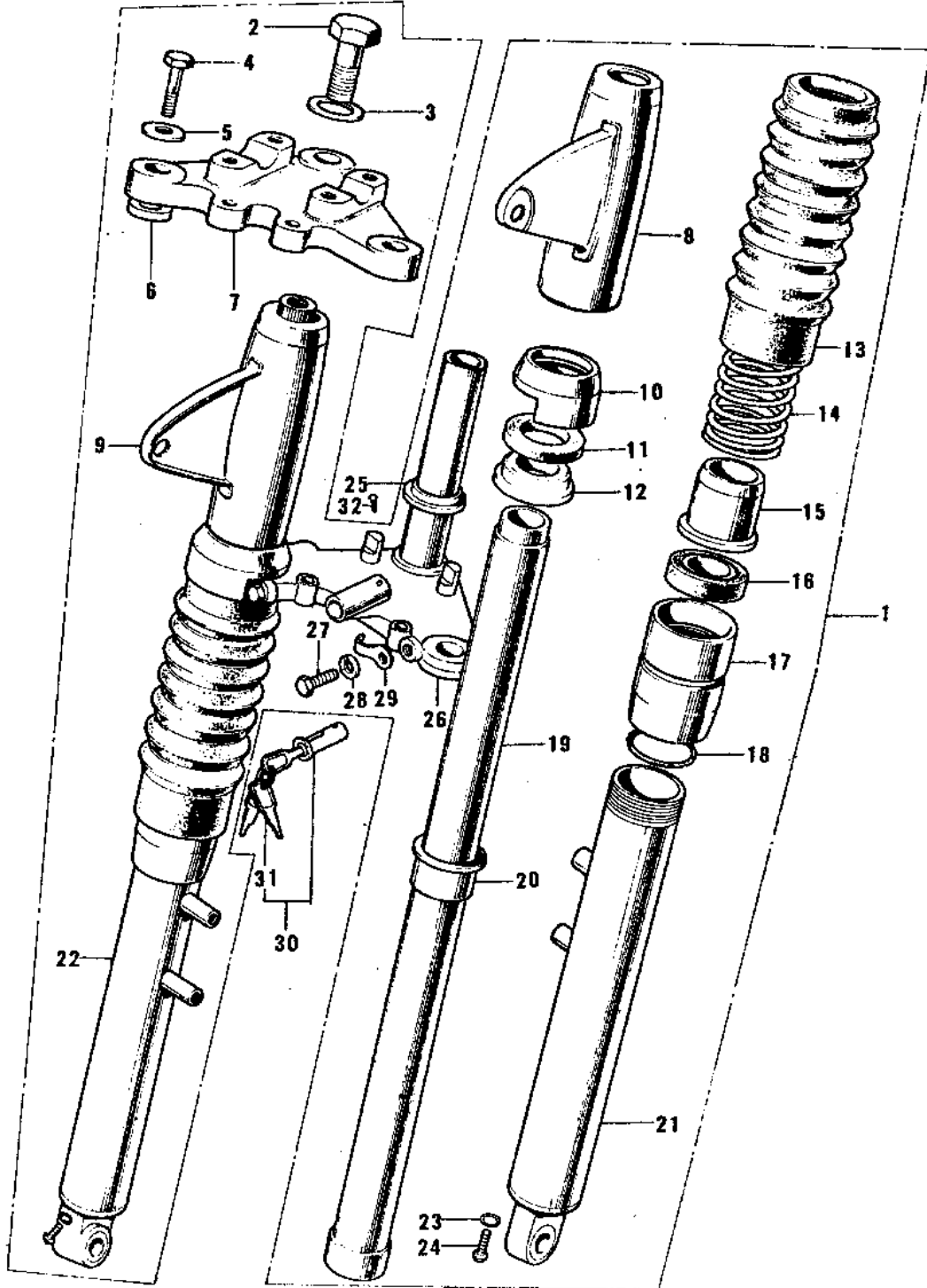


# 1970 Bushmaster PARTS DIAGRAM

FRONT FORK (74-75)



# 1970 Bushmaster PARTS LIST

## FRONT FORK ('74-'75)

ITEM NAME	PART NUMBER	QUANTITY
FORK-FRONT,BLACK (Ref # 1)	44001-099-21	1
BOLT STRNG STEM HEAD (Ref # 2)	44041-007	1
WASHER FORK COVER (Ref # 3)	44043-032	1
BOLT FORK TOP (Ref # 4)	44041-020	2
WASHER FORK TOP (Ref # 5)	44043-017	2
GASKET INNER TUBE UPP (Ref # 6)	44046-002	2
HEAD STEERING STEM (Ref # 7)	44039-013	1
COVER-L.H FORK,BLACK (Ref # 8)	44033-050-21	1
COVER-R.H FORK,BLACK (Ref # 9)	44034-050-21	1
RING FORK COVER (Ref # 10)	44030-004	2
GASKET FORK COVER (Ref # 11)	44045-014	2
GUIDE FORK SPRING (Ref # 12)	44029-011	2
COVER FORK DUST (Ref # 13)	44027-004	2
SPRING FORK (Ref # 14)	44026-020	2
DUST SHIELD FORK (Ref # 15)	44010-015	2
OIL SEAL,FORK (Ref # 16)	44009-021	2
NUT FORK OUTER TUBE (Ref # 17)	44007-008	2
'O' RING OUTER TUBE (Ref # 18)	44046-005	2
TUBE FORK INNER (Ref # 19)	44013-010	2
GUIDE FORK INNER TUBE (Ref # 20)	44015-003	2
TUBE,LH,FORK OUTER (Ref # 21)	44005-029-15	1
TUBE,RH,FORK OUTER (Ref # 22)	44006-028-15	1
GASKET FORK DRAIN PLG (Ref # 23)	44045-002	2
SCREW PAN HEAD 4X8 (Ref # 24)	220B0408	2
CONE LOWER BEARING (Ref # 25)	92047-004	1
STEM STEERING (Ref # 26)	44037-020	1
BOLT PINCH (Ref # 27)	44041-010	2
WASHER SPRING 10MM (Ref # 28)	461F1000	2
CLAMP CABLE (Ref # 29)	92037-022	1

# 1970 Bushmaster PARTS LIST

## FRONT FORK (74-75)

ITEM NAME	PART NUMBER	QUANTITY
LOCK ASSY,STEERING (Ref # 30)	27016-5025	1
KEY SET NO.321 (Ref # 31)	27008-034-21	1
KEY SET NO.322 (Ref # 31)	27008-034-22	1
KEY SET NO.323 (Ref # 31)	27008-034-23	1
KEY SET NO.324 (Ref # 31)	27008-034-24	1
KEY SET NO.235 (Ref # 31)	27008-034-35	1
KEY SET NO.236 (Ref # 31)	27008-034-36	1
KEY SET NO.237 (Ref # 31)	27008-034-37	1
KEY SET NO.238 (Ref # 31)	27008-034-38	1
KEY SET NO.239 (Ref # 31)	27008-034-39	1
KEY SET NO.140 (Ref # 31)	27008-034-40	1
KEY SET NO.141 (Ref # 31)	27008-034-41	1
KEY SET NO.142 (Ref # 31)	27008-034-42	1
KEY SET NO.143 (Ref # 31)	27008-034-43	1
SCREW RIVET (Ref # 31)	92099-001	1