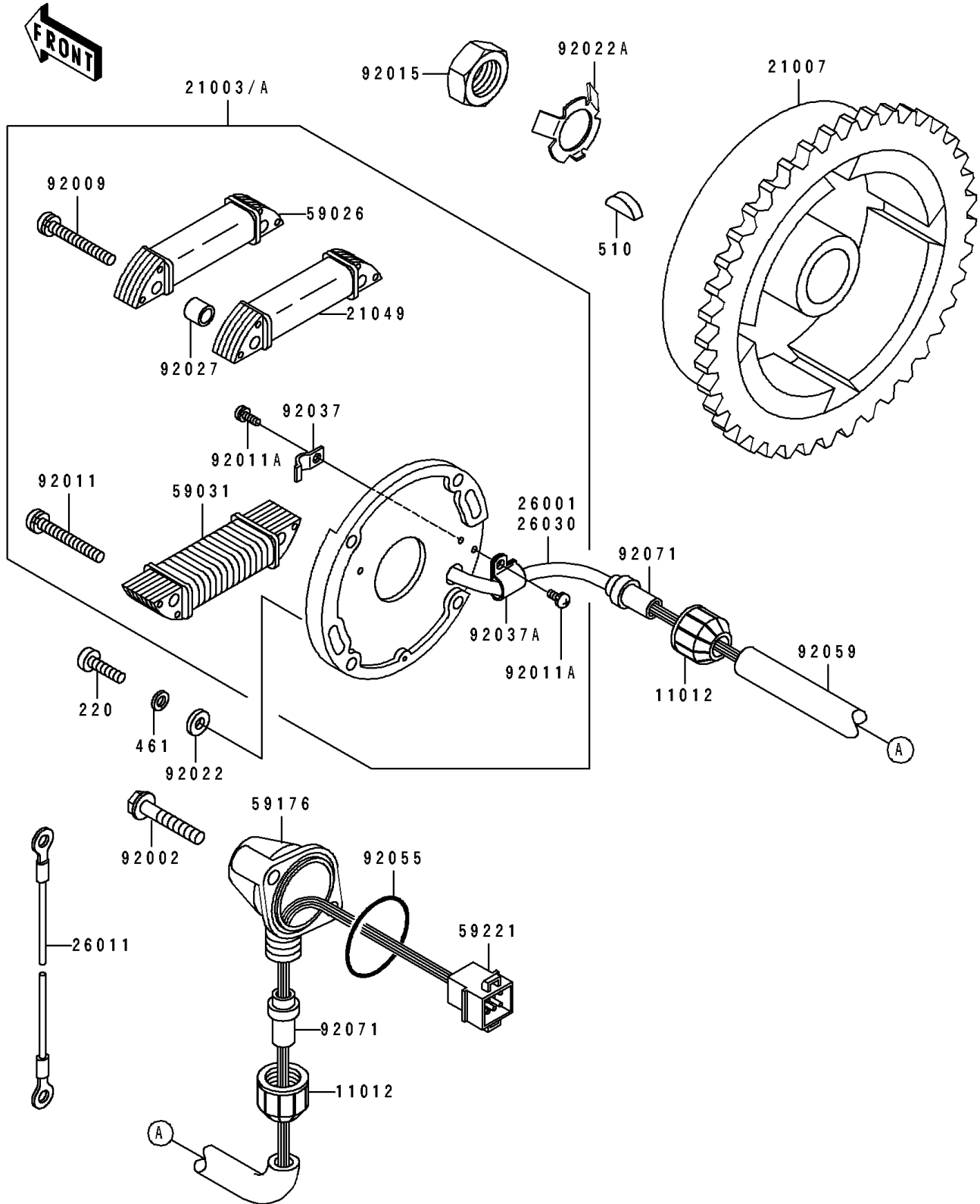


# 1991 550 SX PARTS DIAGRAM

Generator

E1810



# 1991 550 SX PARTS LIST

## Generator

ITEM NAME	PART NUMBER	QUANTITY
CAP (Ref # 11012)	11012-3012	2
STATOR (Ref # 21003)	21003-3012	1
ROTOR (Ref # 21007)	21007-3707	1
COIL-EXCITING (Ref # 21049)	21049-3007	1
HARNESS,WIRING (Ref # 26001)	26001-3006	1
WIRE-LEAD,BLACK (Ref # 26011)	26011-3006	1
COIL-PULSING (Ref # 59026)	59026-3008	1
COIL-CHARGING (Ref # 59031)	59031-3002	1
CAP. (Ref # 59176)	59176-517-YR	1
CONNECTOR-CORD (Ref # 59221)	59221-506	1
BOLT,6X35 (Ref # 92002)	92002-3715	2
SCREW,5X38 (Ref # 92009)	92009-3008	2
SCREW,5X34 (Ref # 92011)	92011-530	2
SCREW,4X8 (Ref # 92011A)	92011-560	2
NUT,20MM (Ref # 92015)	92015-535	1
WASHER (Ref # 92022)	92022-544	2
WASHER,LOCK,20MM (Ref # 92022A)	92022-569	1
COLLAR (Ref # 92027)	92027-3014	2
CLAMP (Ref # 92037)	92037-520	1
CLAMP (Ref # 92037A)	92037-547	1
RING-O (Ref # 92055)	92055-520	1
TUBE,10X345 (Ref # 92059)	92059-3032	1
GROMMET (Ref # 92071)	92071-3001	2
SCREW-PAN-CROS (Ref # 220)	220B0520	2
WASHER-SPRING,5MM (Ref # 461)	461F0500	2
KEY-WOODRUFF (Ref # 510)	510A5200	1