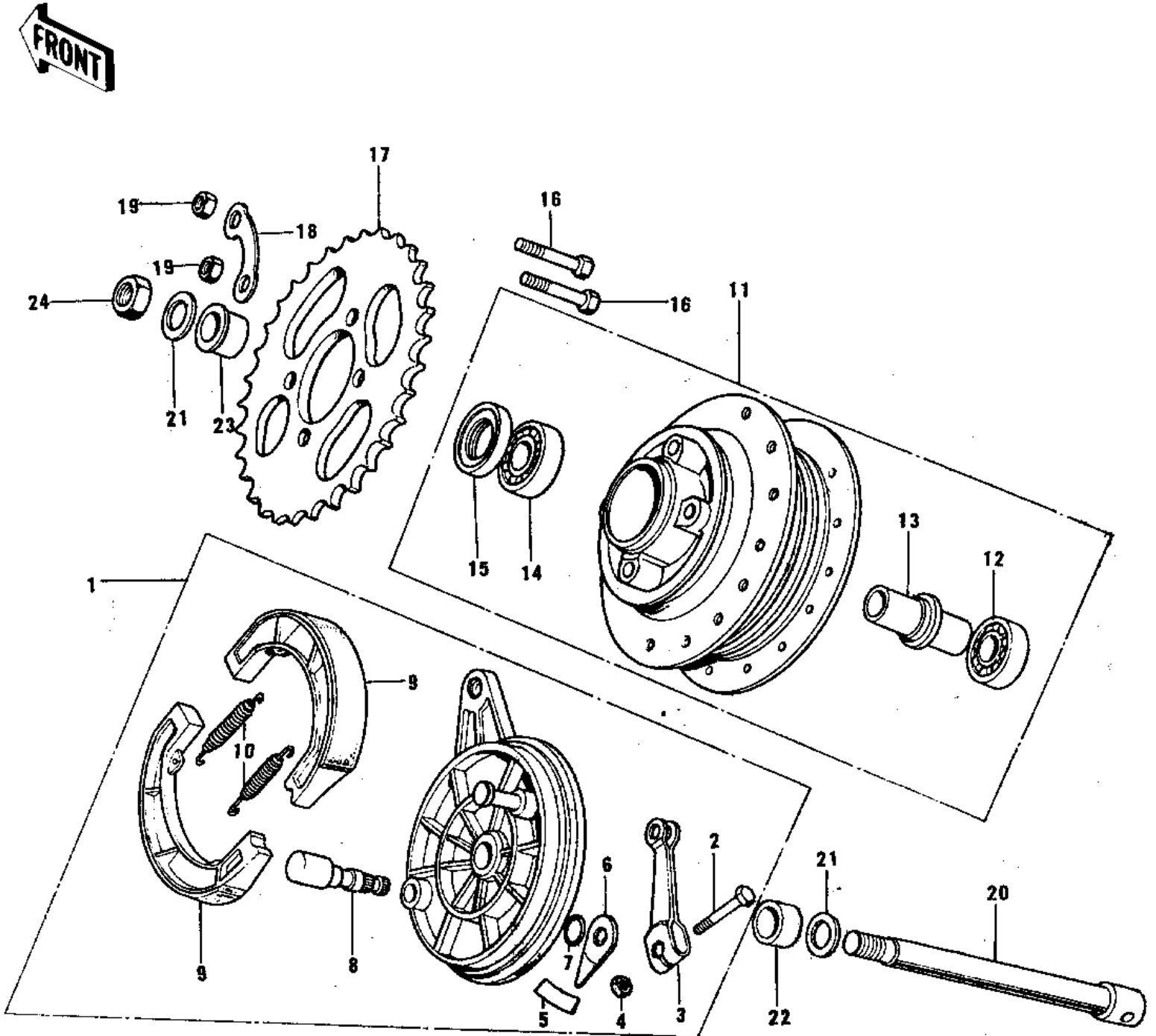


1969 G3SS PARTS DIAGRAM

REAR HUB/BRAKE ('74-'75)



FRONT

1969 G3SS PARTS LIST

REAR HUB/BRAKE ('74-'75)

| ITEM NAME | PART NUMBER | QUANTITY |
|----------------------------------|-------------|----------|
| PANEL ASSY,REAR BRAK (Ref # 1) | 42006-043 | 1 |
| BOLT-UPSET (Ref # 2) | 112G0630 | 1 |
| BOLT-UPSET (Ref # 2) | 112G0630 | AL |
| LEVER,FRONT BRAKE CAM (Ref # 3) | 41053-002 | 1 |
| NUT,6MM (Ref # 4) | 41072-007 | 1 |
| LABEL,FR BRK SHOE (Ref # 5) | 41084-002 | 1 |
| INDICATOR,BKSHOE (Ref # 6) | 41085-003 | 1 |
| "0" RING,11MM (Ref # 7) | 92055-004 | 1 |
| CAM SHAFT,FRONT BRAKE (Ref # 8) | 41050-012 | 1 |
| SHOE-BRAKE (Ref # 9) | 41048-1085 | 2 |
| SPRING,BRAKE SHOE (Ref # 10) | 92081-1766 | 2 |
| DRUM ASSY REAR BRAKE (Ref # 11) | 42005-006 | 1 |
| BEARING BALL #6301Z (Ref # 12) | 601B6301Z | 1 |
| SPACER RR HUB BEARING (Ref # 13) | 42010-003 | 1 |
| BEARING BALL #6301 (Ref # 14) | 601B6301 | 1 |
| OIL SEAL RR BRK DRUM (Ref # 15) | 92052-001 | 1 |
| BOLT REAR SPROCKET (Ref # 16) | 92001-021 | 4 |
| REAR SPROCKET 37T (Ref # 17) | 42041-020 | 1 |
| REAR SPROCKET 42T (Ref # 17) | 42041-051 | (1 |
| WASHER RR SPRCKT LOCK (Ref # 18) | 92088-003 | 2 |
| NUT,8MM (Ref # 19) | 311B0800 | 4 |
| AXLE,12X206 (Ref # 20) | 41068-1091 | 1 |
| WASHER PLAIN 12MM (Ref # 21) | 410B1200 | 2 |
| COLLAR REAR HUB R.H (Ref # 22) | 42032-006 | 1 |
| COLLAR REAR HUB L.H (Ref # 23) | 42032-005 | 1 |
| NUT-HEX-FINE (Ref # 24) | 314B1200 | 1 |