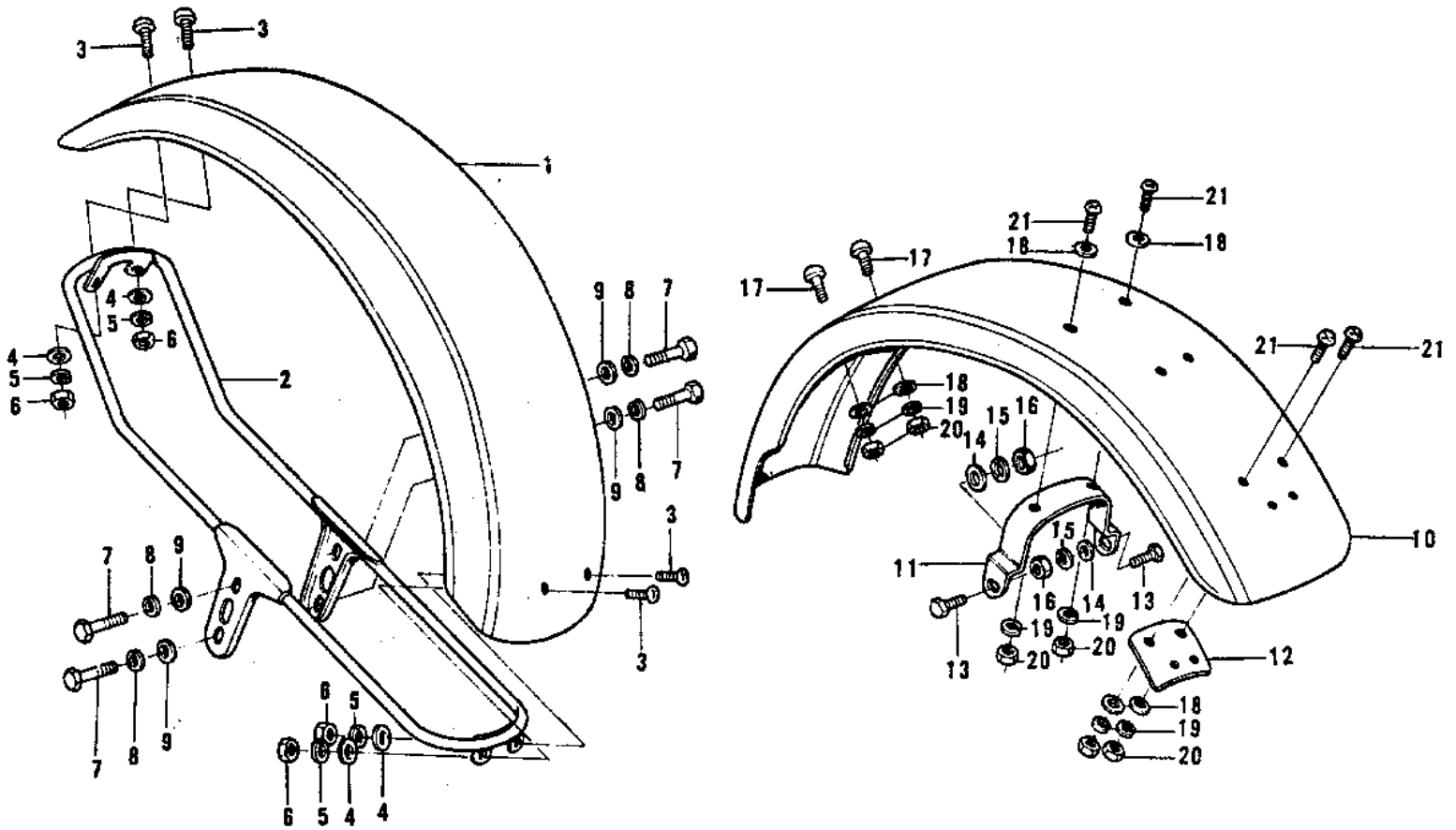


# 1969 Bushmaster PARTS DIAGRAM

FENDERS (74-75)



# 1969 Bushmaster PARTS LIST

## FENDERS (74-75)

ITEM NAME	PART NUMBER	QUANTITY
FENDER-FR (Ref # 1)	35004-1010	1
STAY FRONT FENDER (Ref # 2)	35011-005	1
SCREW PAN HEAD 6X10 (Ref # 3)	220E0610	4
WASHER PLAIN 6MM (Ref # 4)	411B0600	4
WASHER SPRING 6MM (Ref # 5)	461F0600	4
NUT 6MM (Ref # 6)	312B0600	4
BOLT SMALL (Ref # 7)	114G0812	4
WASHER SPRING 8MM (Ref # 8)	461F0800	4
WASHER PLAIN 8MM (Ref # 9)	410B0800	4
FENDER-RR (Ref # 10)	35023-1004	1
BRACKET REAR FENDER (Ref # 11)	35025-002	1
PLATE,REAR FENDER (Ref # 12)	35013-012	1
BOLT,HEX HEAD,8X42 (Ref # 13)	110N0842	2
WASHER PLAIN 8MM (Ref # 14)	411B0800	2
WASHER SPRING 8MM (Ref # 15)	461F0800	2
NUT,8MM (Ref # 16)	311B0800	2
SCREW PAN HEAD 6X12 (Ref # 17)	220B0612	2
WASHER PLAIN 6MM (Ref # 18)	411B0600	6
WASHER SPRING 6MM (Ref # 19)	461F0600	6
NUT 6MM (Ref # 20)	311B0600	6
SCREW PAN HEAD 6X14 (Ref # 21)	220B0614	4