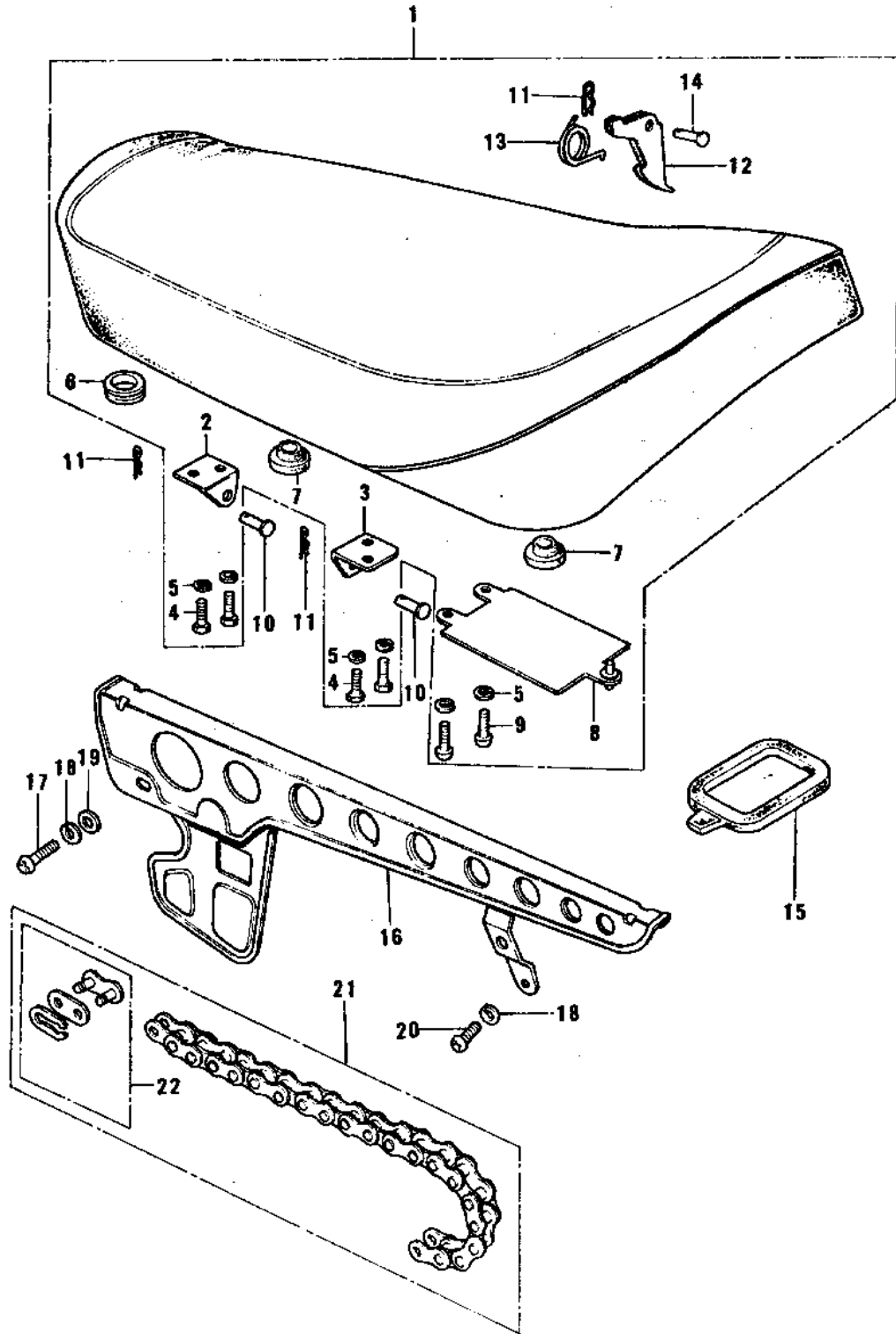


# 1970 Bushmaster PARTS DIAGRAM

SEAT/CHAIN COVER/CHAIN ('74-'75)



# 1970 Bushmaster PARTS LIST

SEAT/CHAIN COVER/CHAIN ('74-'75)

ITEM NAME	PART NUMBER	QUANTITY
SEAT-ASSY,DUAL (Ref # 1)	53001-099	1
HINGE,FRONT (Ref # 2)	53009-024	1
HINGE,REAR (Ref # 3)	53009-023	1
BOLT-UPSET 6X14 (Ref # 4)	112B0614	4
BOLT-UPSET 6X14 (Ref # 4)	112B0614	AL
WASHER SPRING 6MM (Ref # 5)	461F0600	6
GROMMET (Ref # 6)	92071-056	1
DAMPER RUBB DUAL SEAT (Ref # 7)	92075-023	4
CASE (Ref # 8)	32099-011	1
SCREW PAN HEAD 4X8 (Ref # 9)	220B0408	2
PIN-BRAKE CABLE FIT (Ref # 10)	92043-092	2
COTTER PIN (Ref # 11)	92041-003	3
HOOK-SEAT (Ref # 12)	53008-017	1
SPRING,HOOK (Ref # 13)	53012-011	1
PIN,DUAL SEAT PIVOT (Ref # 14)	92043-106	1
BAND-CHAIN OILER TANK (Ref # 15)	92072-039	1
CASE-CHAIN (Ref # 16)	36014-052	1
SCREW PAN HEAD 5X8 (Ref # 17)	220B0508	1
WASHER SPRING 5MM (Ref # 18)	461F0500	2
WASHER PLAIN 5MM (Ref # 19)	410B0500	1
SCREW PAN HEAD 5X12 (Ref # 20)	220B0512	1
*** N.L.A.*** (Canada) (Ref # 21)	695W43104	1
JOINT-CHAIN (Ref # 22)	92058-1014	1