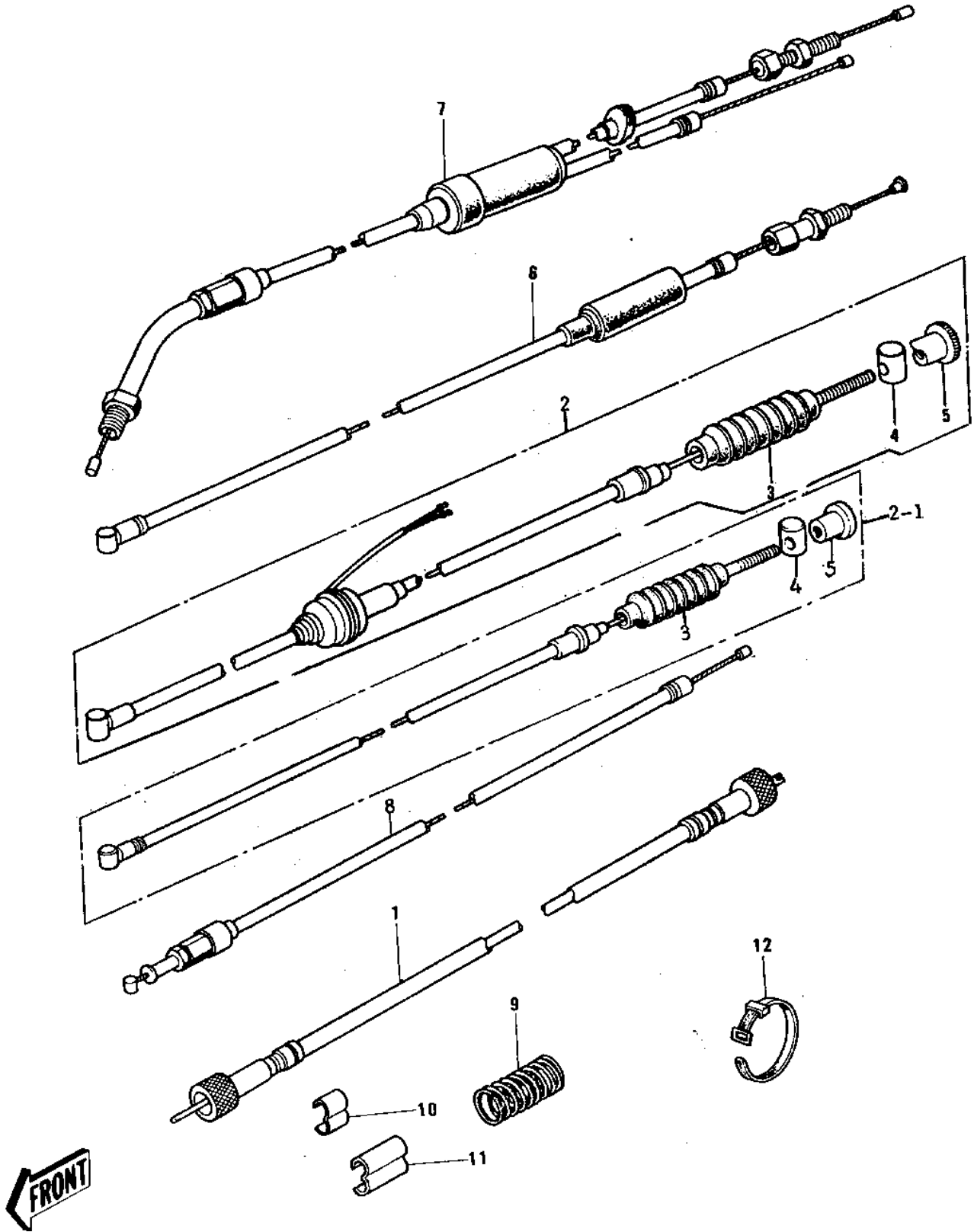


1970 Bushmaster PARTS DIAGRAM

CABLES ('74-'75)



1970 Bushmaster PARTS LIST

CABLES ('74-'75)

| ITEM NAME | PART NUMBER | QUANTITY |
|---------------------------------|-------------|----------|
| CABLE,SPEEDOMETER (Ref # 1) | 54001-014 | 1 |
| CABLE FRONT BRAKE (Ref # 2) | 54005-036 | 1 |
| CABLE,FRONT BRAKE (Ref # 2-1) | 54005-033 | 1 |
| DUST COVER-BRKE CABLE (Ref # 3) | 54009-008 | 1 |
| JOINT-BRAKE ROD (Ref # 4) | 92043-082 | 1 |
| NUT-BRAKE ROD ADJUST (Ref # 5) | 92015-052 | 1 |
| CABLE,CLUTCH (Ref # 6) | 54011-061 | 1 |
| CABLE,CLUTCH (Ref # 6) | 54011-1042 | 1 |
| CABLE,CONTROL (Ref # 7) | 54012-103 | 1 |
| CABLE,CONTROL (Ref # 7) | 54012-103 | 1 |
| CABLE,STARTER (Ref # 8) | 54017-067 | 1 |
| SPRING,COIL (Ref # 9) | 54025-004 | 1 |
| CLAMP-CABLE (Ref # 10) | 92037-069 | 1 |
| CLAMP-CABLE (Ref # 11) | 92037-069 | 2 |
| BAND,SHORT (Ref # 12) | 92072-030 | 1 |