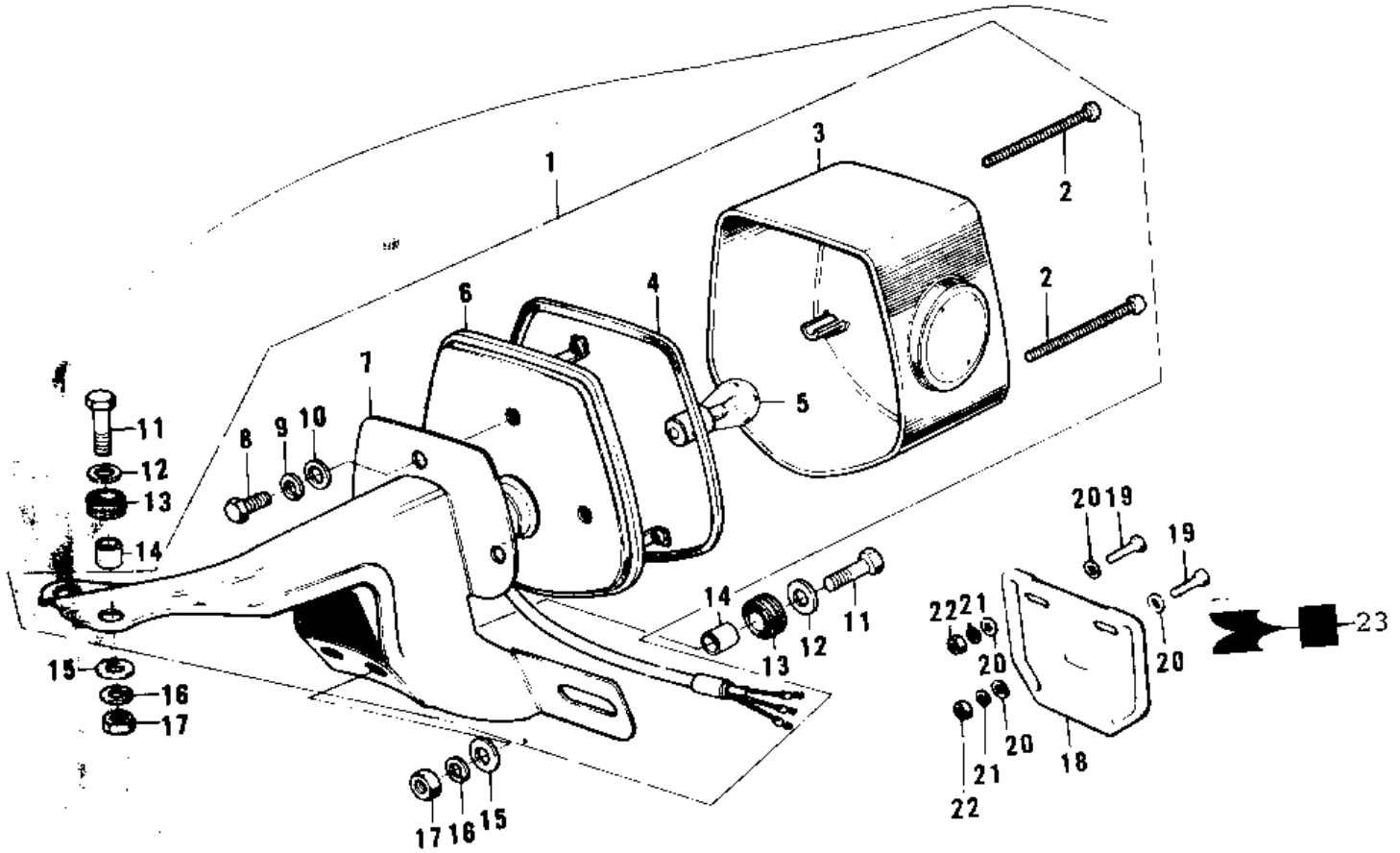


1969 G3SS PARTS DIAGRAM

TAILLIGHT ('74-'75)



1969 G3SS PARTS LIST

TAILLIGHT ('74-'75)

ITEM NAME	PART NUMBER	QUANTITY
LAMP ASSY, TAIL, BLACK (Ref # 1)	23024-049-10	1
SCREW (Ref # 2)	220R0455	3
LENS, TAIL LAMP (Ref # 3)	23026-028	1
GASKET, TAIL LAMP LENS (Ref # 4)	23028-019	1
BULB, 60-32/3CP (Ref # 5)	92069-074	1
BODY COMP TAIL LAMP (Ref # 6)	23027-1018	1
BKT, LICENSE PLT, BLAC (Ref # 7)	23036-030-10	1
BOLT-UPSET 6X14 (Ref # 8)	112B0614	3
WASHER SPRING 6MM (Ref # 9)	461F0600	3
WASHER PLAIN 6MM (Ref # 10)	411B0600	3
BOLT 6X22 (Ref # 11)	112B0622	4
WASHER 6.5X20X1.6T (Ref # 12)	92022-125	4
DAMPER RUBBER (Ref # 13)	92075-076	4
COLLAR, 6.8X10X8.5 (Ref # 14)	92027-129	4
WASHER PLAIN 6MM (Ref # 15)	411B0600	4
WASHER SPRING 6MM (Ref # 16)	461F0600	4
NUT 6MM (Ref # 17)	311B0600	4
BRACKET, LICENSE PLATE (Ref # 18)	11034-1117	1
BOLT-UPSET, 6X20 (Ref # 19)	112G0620	2
BOLT-UPSET, 6X20 (Ref # 19)	112G0620	2
WASHER PLAIN 6MM (Ref # 20)	411B0600	4
WASHER SPRING 6MM (Ref # 21)	461F0600	4
NUT 6MM (Ref # 22)	311B0600	2
EMBLEM, LICNSE PLT BKT (Ref # 23)	56018-176	1