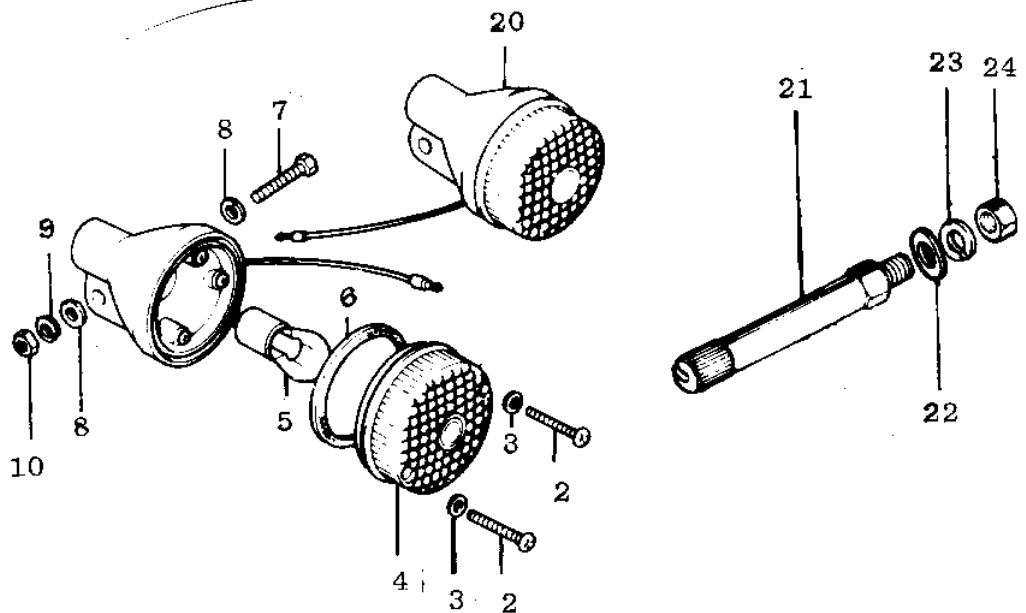
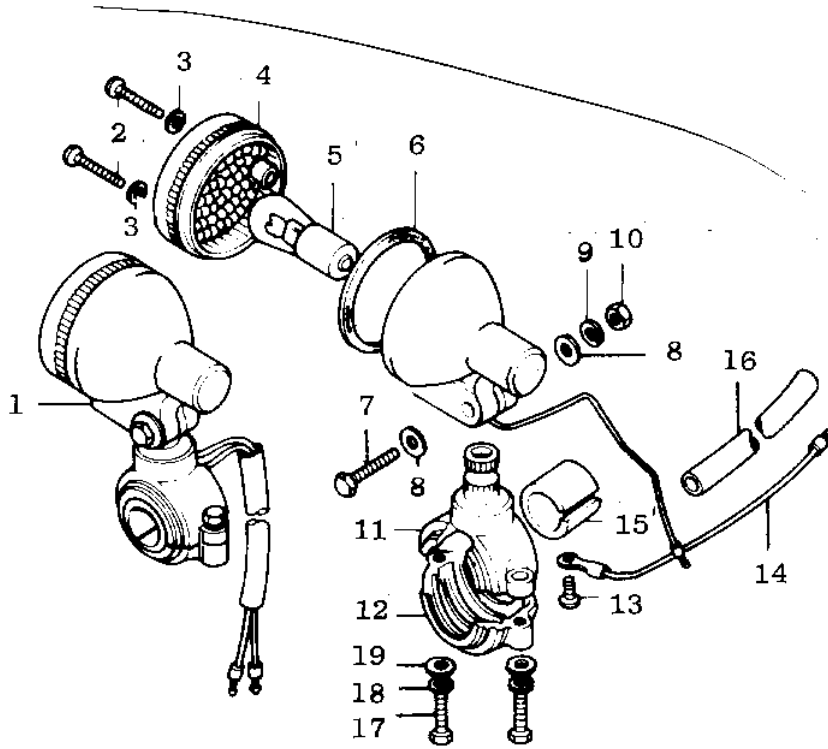


# 1969 G3SS PARTS DIAGRAM

TURN SIGNALS ('74-'75)



 FRONT

# 1969 G3SS PARTS LIST

## TURN SIGNALS ('74-'75)

ITEM NAME	PART NUMBER	QUANTITY
LAMP ASY-FR TURN SIG (Ref # 1)	23037-005	2
SCREW-PAN HEAD,4X20 (Ref # 2)	220E0420A	8
WASHER-PLAIN,4MM (Ref # 3)	23058-002	8
LENS,TURN SIGNAL LAMP (Ref # 4)	23048-1001	4
BULB,6V 21CP (Ref # 5)	92069-056	4
GASKET-SIG LAMP LENS (Ref # 6)	23050-003	4
BOLT-UPSET (Ref # 7)	112G0630	4
WASHER-PLAIN,6MM (Ref # 8)	411D0600	8
WASHER SPRING 6MM (Ref # 9)	461F0600	4
NUT 6MM (Ref # 10)	311B0600	4
BRACKET,FRNT TURN SIG (Ref # 11)	23051-1004	2
BRACKET,SIGNAL LAMP (Ref # 12)	23051-1013	2
SCREW PAN HEAD 3X5 (Ref # 13)	220B0305A	2
WIRE-TURN SIGNAL LEAD (Ref # 14)	26011-061	2
DAMPER RUBBER (Ref # 15)	23066-003	2
COVER-WIRING HARNESS (Ref # 16)	26009-004	2
BOLT (Ref # 17)	110N0516	4
WASHER SPRING 5MM (Ref # 18)	461F0500	4
WASHER-PLAIN,5MM (Ref # 19)	410D0500	4
LAMP ASSY,TURN SIGNAL (Ref # 20)	23040-038	2
BRACKET,TURN SIGNAL (Ref # 21)	23051-047	2
WASHER PLAIN 12MM (Ref # 22)	411B1200	2
WASHER SPRING 12MM (Ref # 23)	461F1200	2
NUT,12MM (Ref # 24)	311B1200	2