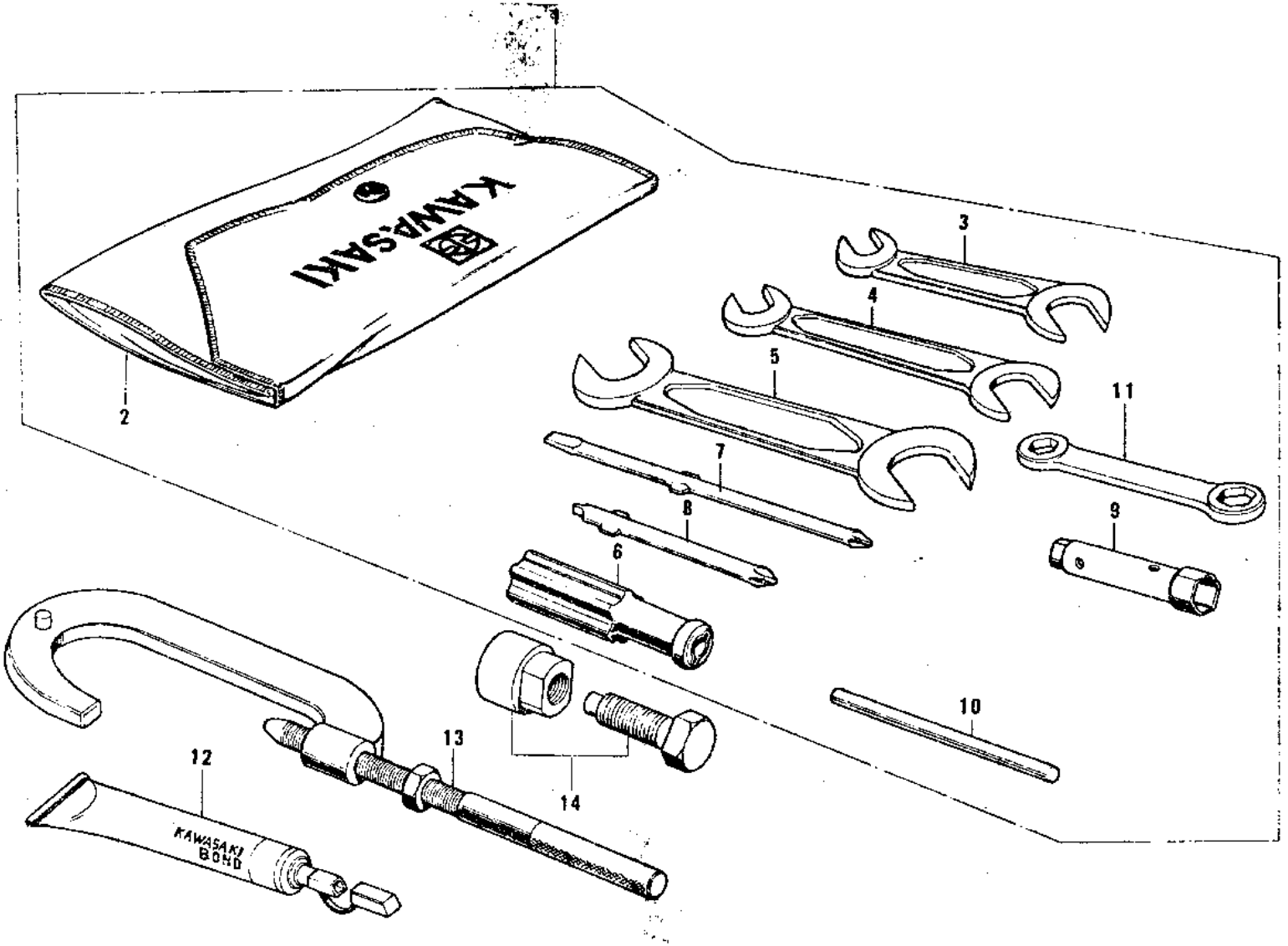


1969 Bushmaster PARTS DIAGRAM

OWNER TOOLS/SPECIAL SERVICE TOOLS ('74-')



1969 Bushmaster PARTS LIST

OWNER TOOLS/SPECIAL SERVICE TOOLS ('74-'

ITEM NAME	PART NUMBER	QUANTITY
UNAVAILABLE IN PRICE BOOK (Ref # 1)	56007-039	1
*** N.L.A.*** (Canada) (Ref # 1)	56007-035	1
BAG, TOOL (Ref # 2)	56008-010	1
WRENCH,OPEN,8X10 (Ref # 3)	92126-001	1
WRENCH,OPEN END,12X13 (Ref # 4)	92126-002	1
TOOL-WRENCH,OPEN END, (Ref # 5)	92110-1153	1
92106-1001 (Canada) (Ref # 6)	92106-002	1
TOOL-DRIVER (Ref # 7)	92107-1052	1
SCREW DRIVER #3 PHLIP (Ref # 8)	92107-005	1
WRENCH,BOX,17X21 (Ref # 9)	92110-012	1
92111-005 (Canada) (Ref # 10)	92111-007	1
BAR,SPARK PLUG WRENCH (Ref # 10)	92111-005	1
92110-1022 (Canada) (Ref # 11)	92108-009	1
LIQUID GASKET (Ref # 12)	92104-002	10
57001-1243 (Canada) (Ref # 13)	56019-040	1
57001-252 (Canada) (Ref # 14)	56019-033	1