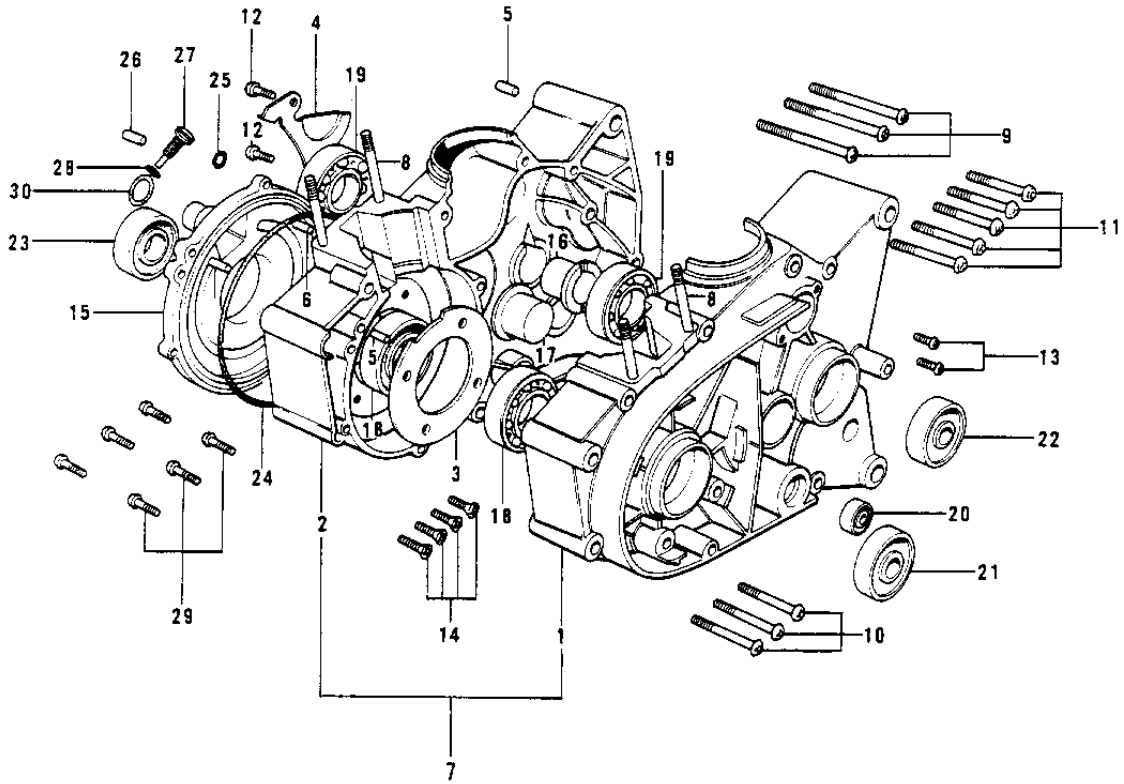


1974 G4TR-D PARTS DIAGRAM

CRANKCASE (70-73)



1974 G4TR-D PARTS LIST

CRANKCASE ('70-'73)

ITEM NAME	PART NUMBER	QUANTITY
CRANKCASE,L.H (Ref # 1)	14002-084	
CRANK CASE,R.H (Ref # 2)	14003-039	
HOLDER CRANKSHAFT BRG (Ref # 3)	14014-017	
HOLDER BEARING MSSON (Ref # 4)	14014-008	
PIN DOWEL 8X16 (Ref # 5)	551A0816	
PIN DOWEL 5X12 (Ref # 6)	610A0512	
CRANKCASE SET (Ref # 7)	14001-044	
STUD 8X115 (Ref # 8)	172G08115	
SCREW PAN HEAD 6X65 (Ref # 9)	220B0665	
SCREW PAN HEAD 6X60 (Ref # 10)	220B0660	
SCREW PAN HEAD 6X40 (Ref # 11)	220B0640	
SCREW PAN HEAD 6X25 (Ref # 12)	220B0625	
SCREW PAN HEAD 6X12 (Ref # 13)	220B0612	
SCREW CNTSNK HD 6X16 (Ref # 14)	221B0616	
COVER ROTARY DISC VLV (Ref # 15)	14019-032	
BUSH DRIVE SHAFT (Ref # 16)	92028-069	
BUSH OUTPUT SHAFT (Ref # 17)	92028-025	
BEARING BALL #6204 (Ref # 18)	601B6204	
BEARING BALL #6005 (Ref # 19)	601B6005	
OIL SEAL SB12205 (Ref # 20)	92049-004	
SEAL-OIL (Ref # 21)	92049-1240	
OIL SEAL SC32435.5 (Ref # 22)	92050-032	
SEAL-OIL (Ref # 23)	92049-1250	
"0" RING,100MM (Ref # 24)	92055-010	
"0" RING,8MM (Ref # 25)	92055-029	
PIN DOWEL 8X16 (Ref # 26)	92042-017	
NOZZLE OIL INJECTION (Ref # 27)	92062-004	
"0" RING,5MM (Ref # 28)	92055-011	
SCREW PAN HEAD 6X20 (Ref # 29)	220B0620	

1974 G4TR-D PARTS LIST

CRANKCASE ('70-'73)

ITEM NAME	PART NUMBER	QUANTITY
"0" RING,26MM (Ref # 30)	670B3026	