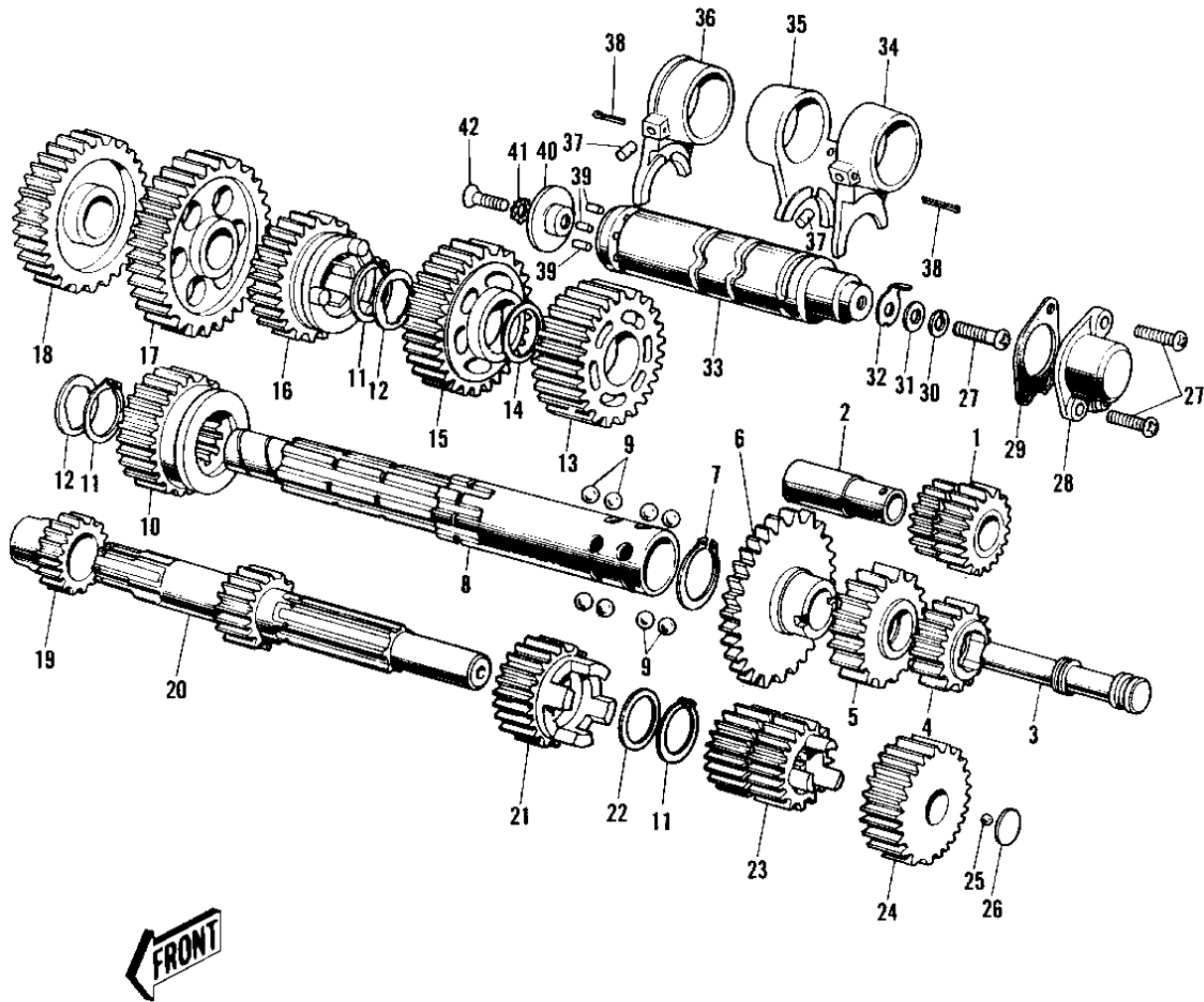


# 1974 G4TR-D PARTS DIAGRAM

TRANSMISSION/CHANGE DRUM 1/2 ('70-'73)



# 1974 G4TR-D PARTS LIST

TRANSMISSION/CHANGE DRUM 1/2 ('70-'73)

ITEM NAME	PART NUMBER	QUANTITY
GEAR COUNTER (Ref # 1)	13177-005	
SHAFT COUNTER (Ref # 2)	13180-001	
ROD,SHIFT (Ref # 3)	49047-1005	
ROD,SHIFT (Ref # 3)	49047-1005	
GEAR LOW (Ref # 4)	13177-001	
GEAR HIGH (Ref # 5)	13177-004	
ENGINE SPROCKET 15T (Ref # 6)	13144-038	
CIRCLIP 24MM (Ref # 7)	480J2400	
SHAFT-OUTPUT (Ref # 8)	13128-035	
SHAFT-OUTPUT (Ref # 8)	13128-035	
BALL STEEL 5/16" (Ref # 9)	600A1000	
TOP GEAR OUTPUT SHAFT (Ref # 10)	13137-012	
CIRCLIP (Ref # 11)	92033-014	
WASHER-LOCK (Ref # 12)	92024-030	
3RD GEAR OUTPUT SHAFT (Ref # 13)	13133-005	
WASHER THRUST (Ref # 14)	92022-146	
2ND GEAR OUTPUT SHAFT (Ref # 15)	13131-008	
GEAR-TRANSMISSION SPU (Ref # 16)	13129-1708	
LOW GEAR OUTPUT SHAFT (Ref # 17)	13129-010	
IDLE GEAR (Ref # 18)	13073-004	
PINION KICKSTARTER (Ref # 19)	13075-004	
SHAFT,DRIVE (Ref # 20)	13127-032	
4TH GEAR,DRIVE (Ref # 21)	13129-1053	
WASHER THRUST (Ref # 22)	92022-118	
2ND&3RD GEAR,DRIVE (Ref # 23)	13129-1052	
GEAR,INPUT TOP,24T (Ref # 24)	13129-1927	
BALL STEEL 7/32" (Ref # 25)	600A0700	
WASHER THRUST (Ref # 26)	92022-115	
SCREW PAN HEAD 6X16 (Ref # 27)	220B0616	

## 1974 G4TR-D PARTS LIST

TRANSMISSION/CHANGE DRUM 1/2 ('70-'73)

ITEM NAME	PART NUMBER	QUANTITY
SWITCH,NEUTRAL (Ref # 28)	13151-1001	
SWITCH,NEUTRAL (Ref # 28)	13151-1001	
GASKET NEUTRAL SWITCH (Ref # 29)	13146-002	
WASHER SPRING 6MM (Ref # 30)	461F0600	
WASHER PLAIN 6MM (Ref # 31)	410B0600	
ROTOR,NEUTRAL INDICTR (Ref # 32)	21007-1003	
DRUM ASSY-GEAR CHANGE (Ref # 33)	13239-005	
DRUM ASSY-GEAR CHANGE (Ref # 33)	13239-005	
FORK SELECTOR 3RD (Ref # 34)	13140-009	
FORK SELECTOR 4TH-TOP (Ref # 35)	13140-017	
FORK SELECTOR LOW-2ND (Ref # 36)	13140-010	
PIN SELECT FORK GUIDE (Ref # 37)	92043-005	
PIN COTTER 3.0X20 (Ref # 38)	550D3020	
PIN GEAR CHANGE DRUM (Ref # 39)	92042-014	
PLATE CHANGE DRUM PIN (Ref # 40)	13142-008	
WASHER LOCK 6MM (Ref # 41)	464H0600	
SCREW PAN HEAD 6X12 (Ref # 42)	220B0612	