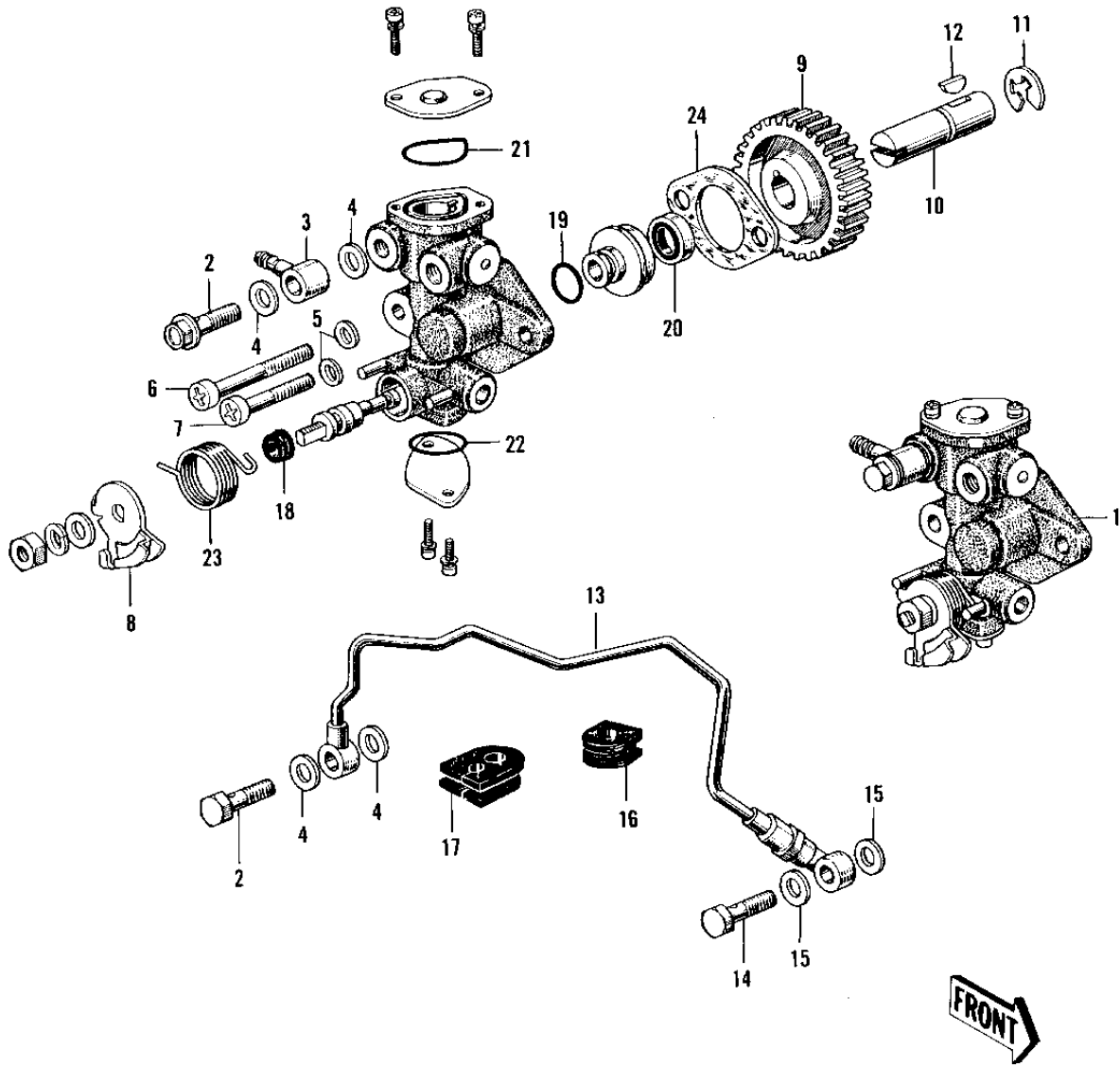


1970 Trail Boss PARTS DIAGRAM

OIL PUMP (70-73)



10

1970 Trail Boss PARTS LIST

OIL PUMP ('70-'73)

ITEM NAME	PART NUMBER	QUANTITY
OIL PUMP ASSY (Ref # 1)	16082-021	1
BOLT-BANJO,6MM (Ref # 2)	92060-013	1
BOLT-BANJO,6MM (Ref # 2)	92060-013	1
CONNECTOR BANJO (Ref # 3)	92061-009	1
WASHER OIL PUMP BANJO (Ref # 4)	92022-077	4
WASHER OIL PUMP (Ref # 5)	92022-037	2
SCREW-PAN-CROS (Ref # 6)	220B0514	1
SCREW PAN HEAD 5X8 (Ref # 7)	220B0508	1
LEVER-OIL PUMP CABLE (Ref # 8)	16096-001	1
GEAR OIL PUMP (Ref # 9)	16085-004	1
SHAFT OIL PUMP (Ref # 10)	16086-001	1
CIRCLIP 9MM (Ref # 11)	482K9000	1
WOODRUFF KEY (Ref # 12)	510A3100	1
PIPE OIL (Ref # 13)	16129-003	1
BOLT BANJO CHECK VLV (Ref # 14)	92001-052	1
GASKET CHECK VALVE (Ref # 15)	92065-023	1
GROMMET OIL PIPE A (Ref # 16)	16135-001	1
GROMMET OIL PIPE B (Ref # 17)	16135-005	1
SEAL-OIL,CAMSHAFT,"X" (Ref # 18)	92049-1294	1
"0" RING,OIL PUMP SHT (Ref # 19)	16090-002	1
OIL SEAL OIL PUMP SHT (Ref # 20)	16091-001	1
"0" RING,UPPER CAP (Ref # 21)	16088-002	1
"0" RING,LOWER CAP (Ref # 22)	16090-003	1
SPRING OIL PUMP LEVER (Ref # 23)	16093-004	1
GASKET,OIL PUMP (Ref # 24)	11060-1160	1