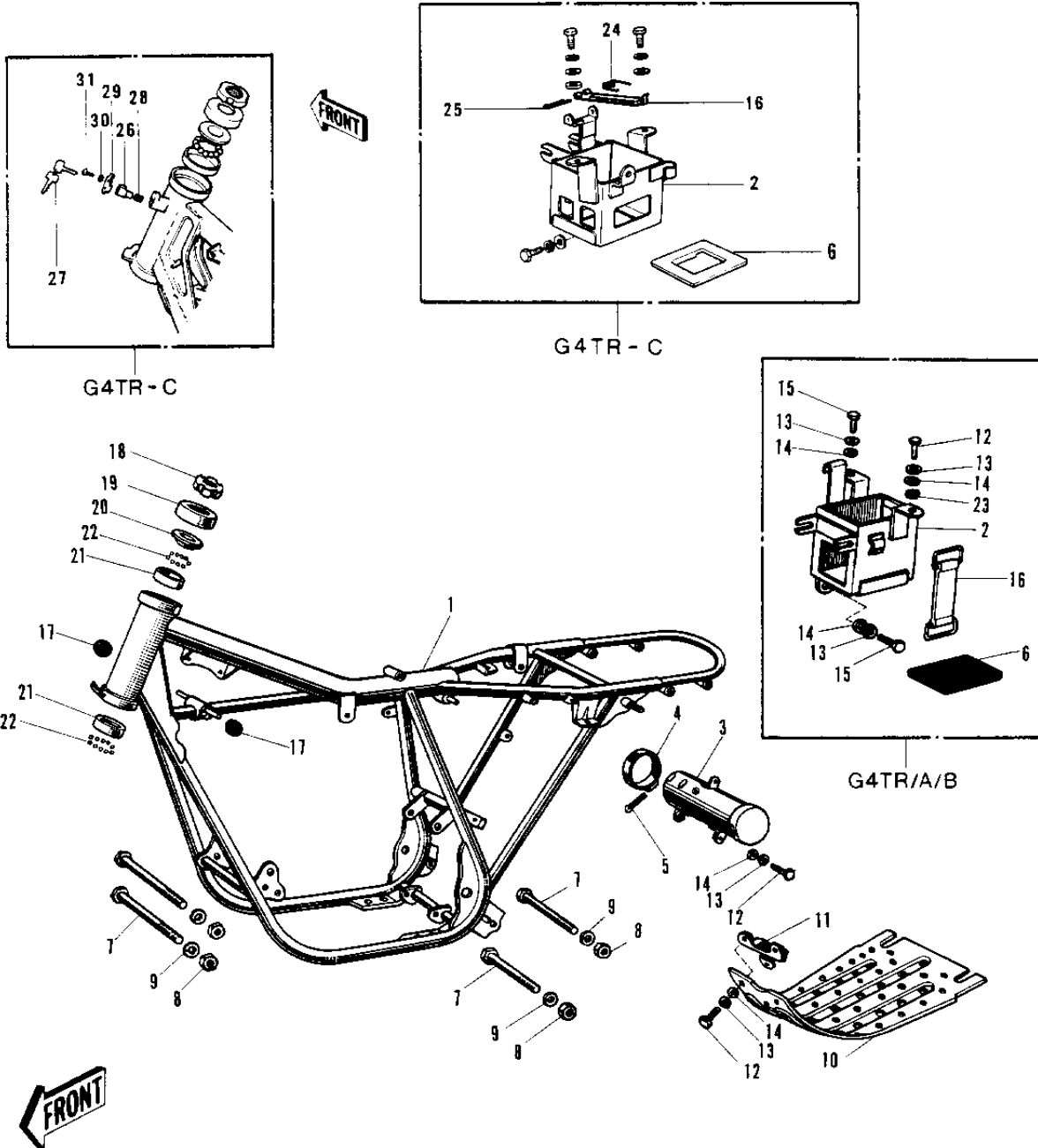


1970 Trail Boss PARTS DIAGRAM

FRAME/FRAME FITTINGS (70-'73)



1970 Trail Boss PARTS LIST

FRAME/FRAME FITTINGS ('70-'73)

ITEM NAME	PART NUMBER	QUANTITY
FRAME (Ref # 1)	32002-041	1
FRAME (Ref # 1)	32002-058	1
FRAME (Ref # 1)	32002-064	X
CASE BATTERY (Ref # 2)	32097-015	1
CASE-BATTERY (Ref # 2)	32097-024	1
BOX TOOL (Ref # 3)	32098-011	1
CAP-TOOL CASE (Ref # 4)	32099-005	1
PIN COTTER 2.0X30 (Ref # 5)	550D2030	1
MAT BATTERY (Ref # 6)	32103-013	1
MAT-BATTERY (Ref # 6)	32103-024	1
BOLT,FLANGED,10X115 (Ref # 7)	92001-1603	4
BOLT,FLANGED,10X115 (Ref # 7)	92001-1603	X
NUT,10MM (Ref # 8)	314B1000	4
WASHER SPRING 10MM (Ref # 9)	461F1000	4
GUARD ENGINE (Ref # 10)	55011-010	1
BRACKET ENG GUARD (Ref # 11)	55012-002	1
BOLT-UPSET,6X12 (Ref # 12)	112G0612	6
WASHER PLAIN 6MM (Ref # 13)	411B0600	8
WASHER SPRING 6MM (Ref # 14)	461F0600	7
BOLT-UPSET,6X16 (Ref # 15)	112G0616	2
BAND TOOL (Ref # 16)	92072-012	1
BAND-BATTERY (Ref # 16)	92072-037	1
DAMPER RUBB FUEL TANK (Ref # 17)	92075-050	1
NUT STEERING STEM LCK (Ref # 18)	92090-006	1
CAP STEERING STEM (Ref # 19)	46098-004	1
CONE UPPER BEARING (Ref # 20)	92047-005	1
RACE BEARING (Ref # 21)	92048-004	2
BALL STEEL 3/16' (Ref # 22)	600A0600	46
WASHER LOCK 6MM (Ref # 23)	463H0600	1

1970 Trail Boss PARTS LIST

FRAME/FRAME FITTINGS ('70-'73)

ITEM NAME	PART NUMBER	QUANTITY
SPRING-RETURN (Ref # 24)	92083-017	1
PIN-COTTER,2.5X35 (Ref # 25)	550D2535	1
LOCK ASSY-STEERING (Ref # 26)	27016-029	1
SPRING-STEERING LOCK (Ref # 28)	27032-001	1
CAP,STEERING LOCK (Ref # 29)	11012-1134	1
WASHER (Ref # 30)	92097-003	1
SCREW-TAPPING (Ref # 31)	92008-007	1