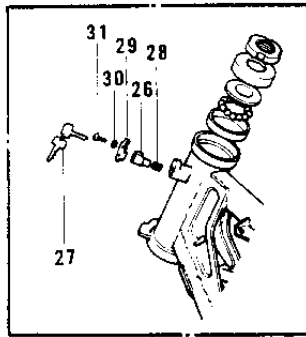
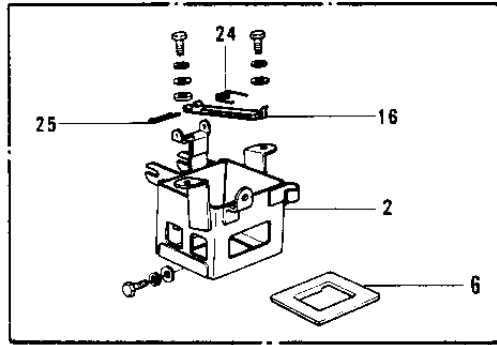


1974 G4TR-D PARTS DIAGRAM

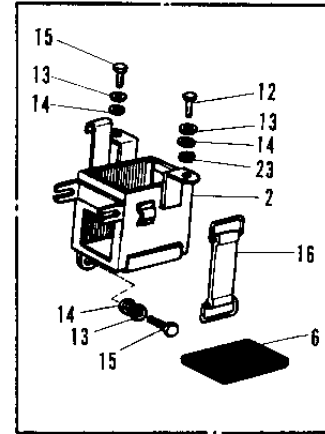
FRAME/FRAME FITTINGS (70-'73)



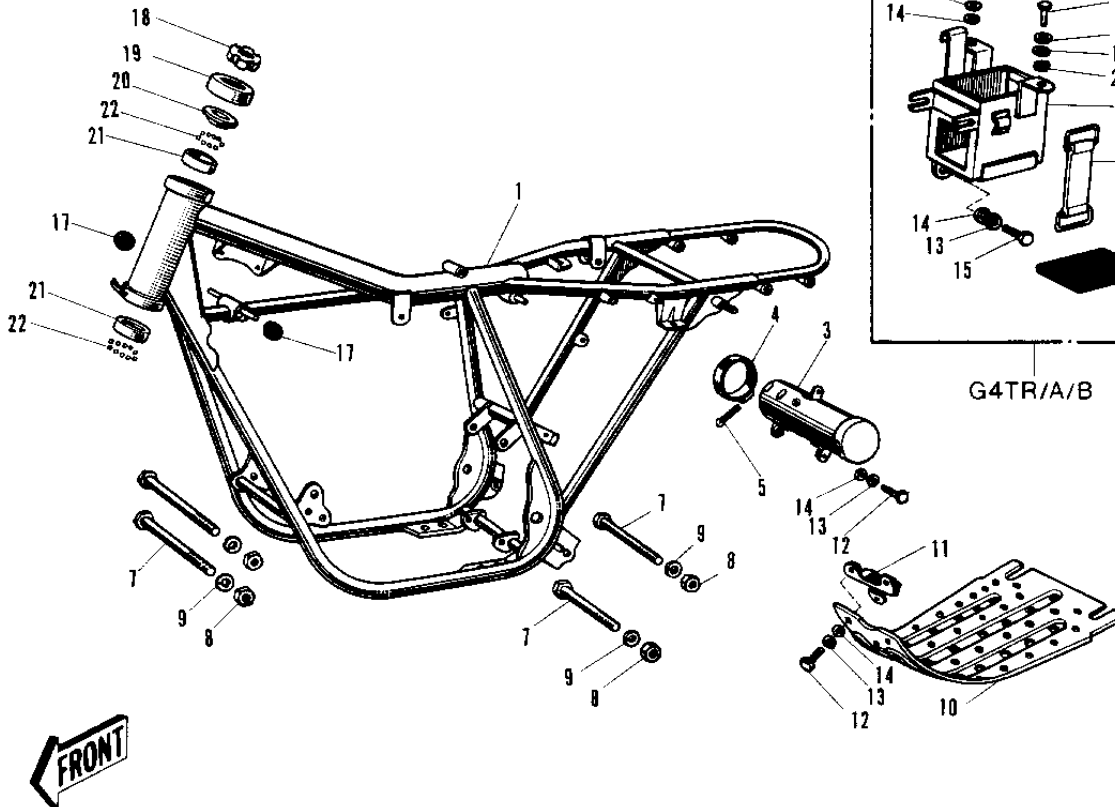
FRONT



G4TR - C



G4TR/A/B



FRONT

1974 G4TR-D PARTS LIST

FRAME/FRAME FITTINGS ('70-'73)

ITEM NAME	PART NUMBER	QUANTITY
FRAME (Ref # 1)	32002-041	
FRAME (Ref # 1)	32002-058	
FRAME (Ref # 1)	32002-064	
CASE BATTERY (Ref # 2)	32097-015	
CASE-BATTERY (Ref # 2)	32097-024	
BOX TOOL (Ref # 3)	32098-011	
CAP-TOOL CASE (Ref # 4)	32099-005	
PIN COTTER 2.0X30 (Ref # 5)	550D2030	
MAT BATTERY (Ref # 6)	32103-013	
MAT-BATTERY (Ref # 6)	32103-024	
BOLT,FLANGED,10X115 (Ref # 7)	92001-1603	
BOLT,FLANGED,10X115 (Ref # 7)	92001-1603	
NUT,10MM (Ref # 8)	314B1000	
WASHER SPRING 10MM (Ref # 9)	461F1000	
GUARD ENGINE (Ref # 10)	55011-010	
BRACKET ENG GUARD (Ref # 11)	55012-002	
BOLT-UPSET,6X12 (Ref # 12)	112G0612	
WASHER PLAIN 6MM (Ref # 13)	411B0600	
WASHER SPRING 6MM (Ref # 14)	461F0600	
BOLT-UPSET,6X16 (Ref # 15)	112G0616	
BAND TOOL (Ref # 16)	92072-012	
BAND-BATTERY (Ref # 16)	92072-037	
DAMPER RUBB FUEL TANK (Ref # 17)	92075-050	
NUT STEERING STEM LCK (Ref # 18)	92090-006	
CAP STEERING STEM (Ref # 19)	46098-004	
CONE UPPER BEARING (Ref # 20)	92047-005	
RACE BEARING (Ref # 21)	92048-004	
BALL STEEL 3/16' (Ref # 22)	600A0600	
WASHER LOCK 6MM (Ref # 23)	463H0600	

1974 G4TR-D PARTS LIST

FRAME/FRAME FITTINGS ('70-'73)

ITEM NAME	PART NUMBER	QUANTITY
SPRING-RETURN (Ref # 24)	92083-017	
PIN-COTTER,2.5X35 (Ref # 25)	550D2535	
LOCK ASSY-STEERING (Ref # 26)	27016-029	
SPRING-STEERING LOCK (Ref # 28)	27032-001	
CAP,STEERING LOCK (Ref # 29)	11012-1134	
WASHER (Ref # 30)	92097-003	
SCREW-TAPPING (Ref # 31)	92008-007	