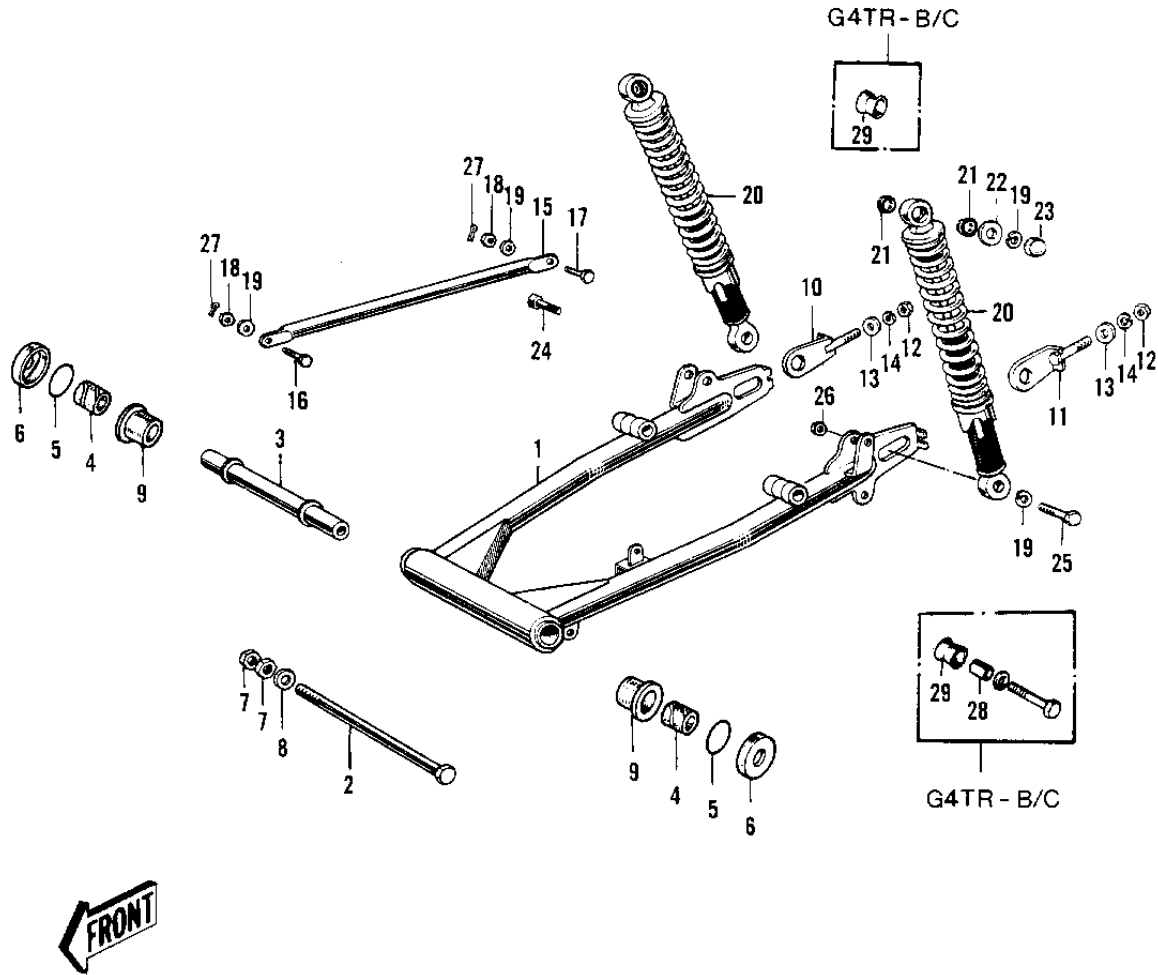


1974 G4TR-D PARTS DIAGRAM

SWING ARM/SHOCK ABSORBERS (70-73)



1974 G4TR-D PARTS LIST

SWING ARM/SHOCK ABSORBERS (70-73)

ITEM NAME	PART NUMBER	QUANTITY
ARM-SWINGING (Ref # 1)	33001-034	
SHAFT SWING ARM PIVOT (Ref # 2)	33032-023	
COLLAR SWING ARM (Ref # 3)	33036-002	
SLEEVE-SWINGING ARM (Ref # 4)	33034-016	
"0" RING,30MM (Ref # 5)	671B2530	
CAP-SWINGING ARM (Ref # 6)	33035-005	
NUT-HEX-FINE,12MM (Ref # 7)	315B1200	
WASHER SPRING 12MM (Ref # 8)	461F1200	
BUSHING-SWING ARM (Ref # 9)	33033-009	
BUSHING-SWING ARM (Ref # 9)	33033-009	
ADJUSTER CHAIN R.H (Ref # 10)	33040-039	
ADJUSTER CHAIN L.H (Ref # 11)	33040-040	
NUT 8MM (Ref # 12)	312B0800	
WASHER PLAIN 8MM (Ref # 13)	410B0800	
WASHER SPRING 8MM (Ref # 14)	461F0800	
TORQUE LINK REAR BRK (Ref # 15)	43007-018	
BOLT TORQUE LINK FIT (Ref # 16)	92003-017	
BOLT HEX HEAD 10X25 (Ref # 17)	92003-003	
NUT,10MM (Ref # 18)	314B1000	
WASHER SPRING 10MM (Ref # 19)	461F1000	
SHOCK ABSBR RR (Ref # 20)	45014-069	
SHOCK ABSBR RR (Ref # 20)	45014-069	
SHOCK ABSBR RR (Ref # 20)	45014-071	
SHOCK ABSBR RR (Ref # 20)	45014-073	
BUSH SHOCK ABSORBER (Ref # 21)	45017-003	
WASHER-PL-10.5X26X2.3 (Ref # 22)	92022-044	
NUT SHOCK ABSORBER (Ref # 23)	92020-003	
BOLT HEX HEAD 10X35 (Ref # 24)	113N1035	
BOLT HEX HEAD 10X38 (Ref # 25)	113N1038	

1974 G4TR-D PARTS LIST

SWING ARM/SHOCK ABSORBERS (70-73)

ITEM NAME	PART NUMBER	QUANTITY
NUT 10MM (Ref # 26)	315B1000	
PIN COTTER 2.0X15 (Ref # 27)	550D2015	
BUSH SHCK ABS PVT SFT (Ref # 28)	45016-003	
BUSHING,RUBBER (Ref # 29)	92075-1020	