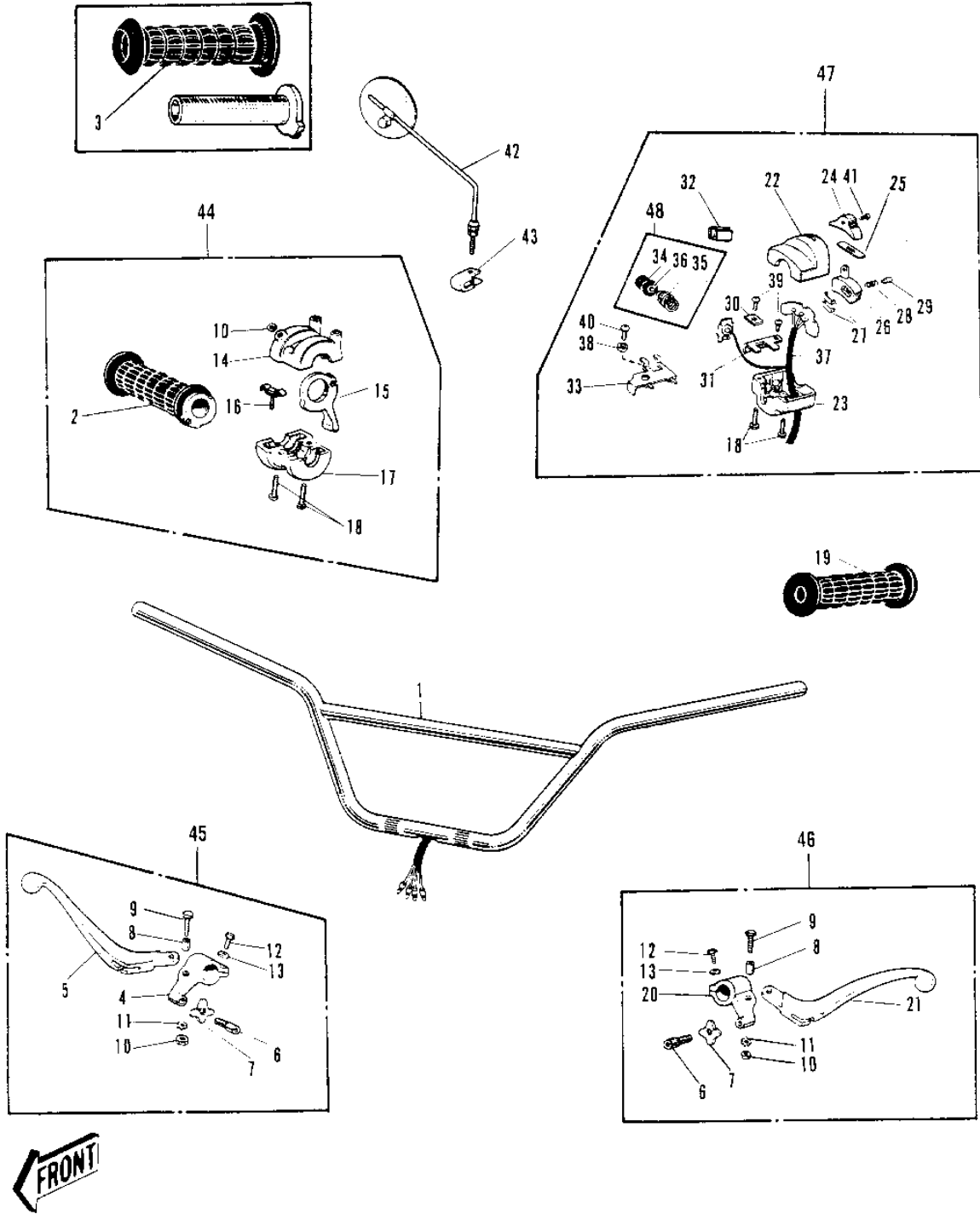


1971 G4TR-A PARTS DIAGRAM

HANDLEBAR G4TR/A 1/2 (70-73)



G4TR/A

1971 G4TR-A PARTS LIST

HANDLEBAR G4TR/A 1/2 ('70-'73)

| ITEM NAME | PART NUMBER | QUANTITY |
|----------------------------------|-------------|----------|
| HANDLEBAR (Ref # 1) | 46004-004 | |
| GRIP ASSY-THROTTLE (Ref # 2) | 46019-013 | |
| RUBBER-R.H GRIP (Ref # 3) | 46061-012 | |
| HOLDER-FR BRAKE LEVER (Ref # 4) | 46060-006 | |
| LEVER FRONT BRAKE (Ref # 5) | 46058-004 | |
| SCREW,CABLE ADJUST (Ref # 6) | 46055-009 | |
| NUT LOCK ADJUST SCREW (Ref # 7) | 46056-001 | |
| COLLAR LEVER (Ref # 8) | 46059-011 | |
| BOLT HEX HEAD 5X20 (Ref # 9) | 92007-020 | |
| NUT 5MM (Ref # 10) | 312B0500 | |
| WASHER LOCK 5MM (Ref # 11) | 464H0500 | |
| BOLT, HEX HEAD 6X22 (Ref # 12) | 110N0622 | |
| WASHER PLAIN 6MM (Ref # 13) | 410B0600 | |
| CASE-R.H.UPPER (Ref # 14) | 46041-005 | |
| LEVER-STARTER (Ref # 15) | 46096-006 | |
| SPRING THROTTLE GRIP (Ref # 16) | 46024-002 | |
| CASE-R.H LOWER (Ref # 17) | 46023-005 | |
| SCREW PAN HEAD 5X22 (Ref # 18) | 220B0522 | |
| RUBBER-L.H GRIP (Ref # 19) | 46075-017 | |
| HOLDER,CLUTCH LEVER (Ref # 20) | 46094-010 | |
| HOLDER,CLUTCH LEVER (Ref # 20) | 46094-010 | |
| LEVER-CLUTCH (Ref # 21) | 46092-015 | |
| LEVER-CLUTCH (Ref # 21) | 46092-015 | |
| CASE L.H SWITCH UPPER (Ref # 22) | 46086-013 | |
| CASE L.H SWITCH LOWER (Ref # 23) | 46077-015 | |
| KNOB-L.H SWITCH (Ref # 24) | 46044-011 | |
| SPRING L.H SW KNOB (Ref # 25) | 46031-003 | |
| SWITCH L.H (Ref # 26) | 46089-003 | |
| PLATE L.H SW CONTACT (Ref # 27) | 46080-002 | |

1971 G4TR-A PARTS LIST

HANDLEBAR G4TR/A 1/2 ('70-'73)

| ITEM NAME | PART NUMBER | QUANTITY |
|----------------------------------|-------------|----------|
| SPRING L.H SWITCH (Ref # 28) | 46031-004 | |
| CONTACT L.H SWITCH (Ref # 29) | 46079-002 | |
| HOLDER L.H SW UPPER A (Ref # 30) | 46085-013 | |
| HOLDER L.H SW LOWER B (Ref # 31) | 46085-014 | |
| CAP L.H UPPER CASE (Ref # 32) | 46081-001 | |
| HOLDER L.H SW LOWER (Ref # 33) | 46085-015 | |
| SWITCH ASSY,HORN BUTN (Ref # 34) | 27010-1009 | |
| SWITCH ASSY,HORN BUTN (Ref # 35) | 27010-1009 | |
| SWITCH ASSY,HORN BUTN (Ref # 36) | 27010-1009 | |
| WIRING HARNESS COMP (Ref # 37) | 46082-016 | |
| WASHER (Ref # 38) | 92095-010 | |
| SCREW PAN HEAD 3X5 (Ref # 39) | 220B0305A | |
| SCREW PAN HEAD 3X8 (Ref # 40) | 220B0308 | |
| SCREW CNTSNK HD 3X8 (Ref # 41) | 221B0308A | |
| REAR VIEW MIRROR (Ref # 42) | 56001-005 | |
| BRACKET (Ref # 43) | 56006-001 | |
| CASE ASSY-R.H (Ref # 44) | 46018-019 | |
| LEVER ASSY FRNT BRAKE (Ref # 45) | 46021-009 | |
| LEVER ASSY CLUTCH (Ref # 46) | 46076-013 | |
| CASE ASSY L.H (Ref # 47) | 46091-003 | |
| SWITCH ASSY,HORN BUTN (Ref # 48) | 27010-1009 | |