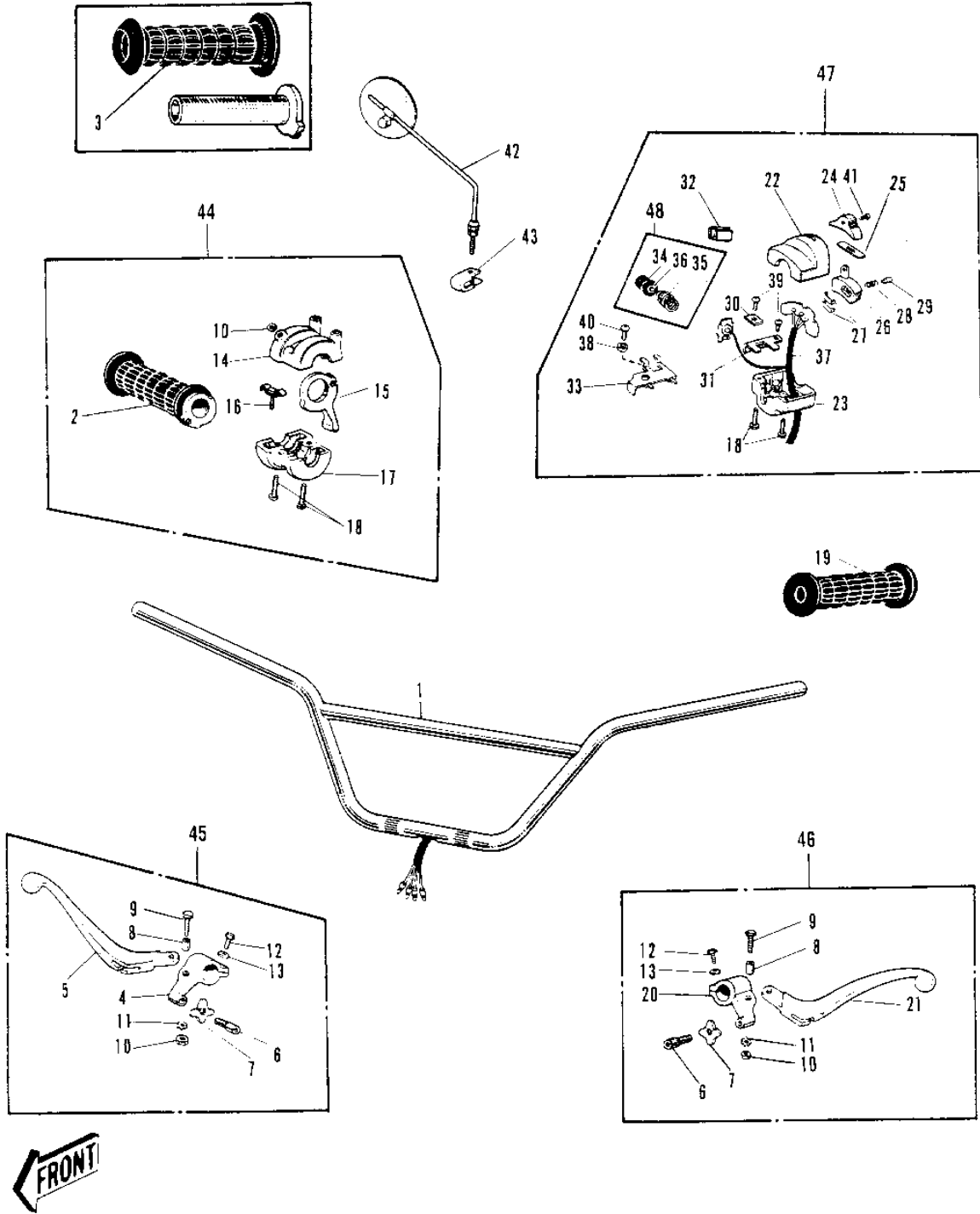


1973 G4TR-C PARTS DIAGRAM

HANDLEBAR G4TR/A 1/2 (70-73)



G4TR/A

1973 G4TR-C PARTS LIST

HANDLEBAR G4TR/A 1/2 ('70-'73)

ITEM NAME	PART NUMBER	QUANTITY
HANDLEBAR (Ref # 1)	46004-004	
GRIP ASSY-THROTTLE (Ref # 2)	46019-013	
RUBBER-R.H GRIP (Ref # 3)	46061-012	
HOLDER-FR BRAKE LEVER (Ref # 4)	46060-006	
LEVER FRONT BRAKE (Ref # 5)	46058-004	
SCREW,CABLE ADJUST (Ref # 6)	46055-009	
NUT LOCK ADJUST SCREW (Ref # 7)	46056-001	
COLLAR LEVER (Ref # 8)	46059-011	
BOLT HEX HEAD 5X20 (Ref # 9)	92007-020	
NUT 5MM (Ref # 10)	312B0500	
WASHER LOCK 5MM (Ref # 11)	464H0500	
BOLT, HEX HEAD 6X22 (Ref # 12)	110N0622	
WASHER PLAIN 6MM (Ref # 13)	410B0600	
CASE-R.H.UPPER (Ref # 14)	46041-005	
LEVER-STARTER (Ref # 15)	46096-006	
SPRING THROTTLE GRIP (Ref # 16)	46024-002	
CASE-R.H LOWER (Ref # 17)	46023-005	
SCREW PAN HEAD 5X22 (Ref # 18)	220B0522	
RUBBER-L.H GRIP (Ref # 19)	46075-017	
HOLDER,CLUTCH LEVER (Ref # 20)	46094-010	
HOLDER,CLUTCH LEVER (Ref # 20)	46094-010	
LEVER-CLUTCH (Ref # 21)	46092-015	
LEVER-CLUTCH (Ref # 21)	46092-015	
CASE L.H SWITCH UPPER (Ref # 22)	46086-013	
CASE L.H SWITCH LOWER (Ref # 23)	46077-015	
KNOB-L.H SWITCH (Ref # 24)	46044-011	
SPRING L.H SW KNOB (Ref # 25)	46031-003	
SWITCH L.H (Ref # 26)	46089-003	
PLATE L.H SW CONTACT (Ref # 27)	46080-002	

1973 G4TR-C PARTS LIST

HANDLEBAR G4TR/A 1/2 ('70-'73)

ITEM NAME	PART NUMBER	QUANTITY
SPRING L.H SWITCH (Ref # 28)	46031-004	
CONTACT L.H SWITCH (Ref # 29)	46079-002	
HOLDER L.H SW UPPER A (Ref # 30)	46085-013	
HOLDER L.H SW LOWER B (Ref # 31)	46085-014	
CAP L.H UPPER CASE (Ref # 32)	46081-001	
HOLDER L.H SW LOWER (Ref # 33)	46085-015	
SWITCH ASSY,HORN BUTN (Ref # 34)	27010-1009	
SWITCH ASSY,HORN BUTN (Ref # 35)	27010-1009	
SWITCH ASSY,HORN BUTN (Ref # 36)	27010-1009	
WIRING HARNESS COMP (Ref # 37)	46082-016	
WASHER (Ref # 38)	92095-010	
SCREW PAN HEAD 3X5 (Ref # 39)	220B0305A	
SCREW PAN HEAD 3X8 (Ref # 40)	220B0308	
SCREW CNTSNK HD 3X8 (Ref # 41)	221B0308A	
REAR VIEW MIRROR (Ref # 42)	56001-005	
BRACKET (Ref # 43)	56006-001	
CASE ASSY-R.H (Ref # 44)	46018-019	
LEVER ASSY FRNT BRAKE (Ref # 45)	46021-009	
LEVER ASSY CLUTCH (Ref # 46)	46076-013	
CASE ASSY L.H (Ref # 47)	46091-003	
SWITCH ASSY,HORN BUTN (Ref # 48)	27010-1009	