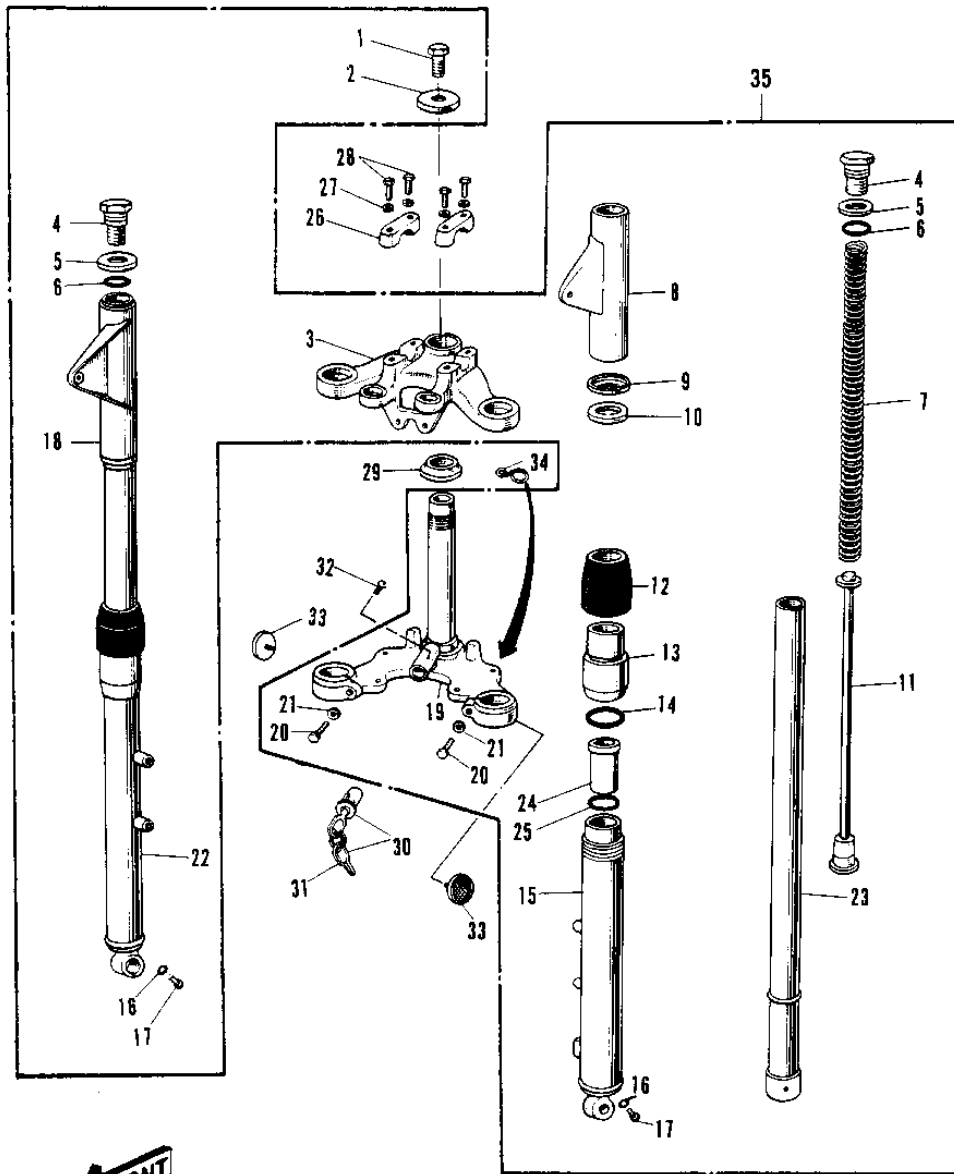


1976 KV100-A7 PARTS DIAGRAM

FRONT FORK G4TR/A 1/2 (70-73)



FRONT

G4TR/A

1976 KV100-A7 PARTS LIST

FRONT FORK G4TR/A 1/2 ('70-'73)

ITEM NAME	PART NUMBER	QUANTITY
BOLT STRNG STEM HEAD (Ref # 1)	44041-007	1
WASHER STRNG STEM HD (Ref # 2)	44043-016	1
HEAD-STRNG STEM,BLACK (Ref # 3)	44039-034-21	1
HEAD-STRNG STEM,BLACK (Ref # 3)	44039-034-21	1
BOLT FORK TOP (Ref # 4)	44041-022	2
WASHER FORK TOP (Ref # 5)	44043-014	2
'O' RING INNER TUBE (Ref # 6)	44046-014	2
SPRING-FORK (Ref # 7)	44026-029	2
SPRING-FORK (Ref # 7)	44026-029	2
COVER L.H FORK SILVER (Ref # 8)	44033-027-15	1
COVER-L.H FORK,BLACK (Ref # 8)	44033-027-21	1
WASHER FORK COVER (Ref # 9)	44043-035	2
GASKET FORK COVER (Ref # 10)	44045-012	2
HOLDER FORK SPRING (Ref # 11)	44028-008	2
DUST SHIELD FORK (Ref # 12)	44010-006	2
NUT FORK OUTER TUBE (Ref # 13)	44007-007	2
'O' RING OUTER TUBE (Ref # 14)	44046-012	2
TUBE,LH,FORK OUTER (Ref # 15)	44005-024-15	1
GASKET FORK DRAIN PLG (Ref # 16)	44045-002	2
SCREW PAN HEAD 4X8 (Ref # 17)	220B0408	2
COVER-R.H FORK SILVER (Ref # 18)	44034-026-15	1
COVER-R.H FORK,BLACK (Ref # 18)	44034-026-21	1
STEM STEERING (Ref # 19)	44037-027	1
BOLT HEX HEAD 10X32 (Ref # 20)	113B1032	2
WASHER SPRING 10MM (Ref # 21)	461F1000	2
TUBE,RH,FORK OUTER (Ref # 22)	44006-023-15	1
TUBE-INNER (Ref # 23)	44013-029	2
TUBE-INNER (Ref # 23)	44013-029	2
GUIDE FORK INNER TUBE (Ref # 24)	44015-012	2

1976 KV100-A7 PARTS LIST

FRONT FORK G4TR/A 1/2 ('70-'73)

ITEM NAME	PART NUMBER	QUANTITY
OIL SEAL (Ref # 25)	92049-1049	2
OIL SEAL (Ref # 25)	92049-1049	2
HOLDER UPPER HANDLEBAR (Ref # 26)	46012-004	2
HOLDER-HANDLEBAR (Ref # 26)	46012-008	2
WASHER SPRING 8MM (Ref # 27)	461F0800	4
BOLT 8X38 (Ref # 28)	92001-1405	4
BOLT 8X38 (Ref # 28)	92001-1405	4
CONE LOWER BEARING (Ref # 29)	92047-004	1
LOCK ASSY,STEERING (Ref # 30)	27016-5025	1
LOCK ASSY,STEERING (Ref # 30)	27016-5025	1
SCREW RIVET (Ref # 32)	92099-001	2
REFLECTOR REFLEX (Ref # 33)	28001-007	2
CLAMP-CABLE (Ref # 34)	92037-046	1
FRONT FORK ASY,SILVER (Ref # 35)	44001-071-15	1
FORK-FRONT,BLACK (Ref # 35)	44001-071-21	1