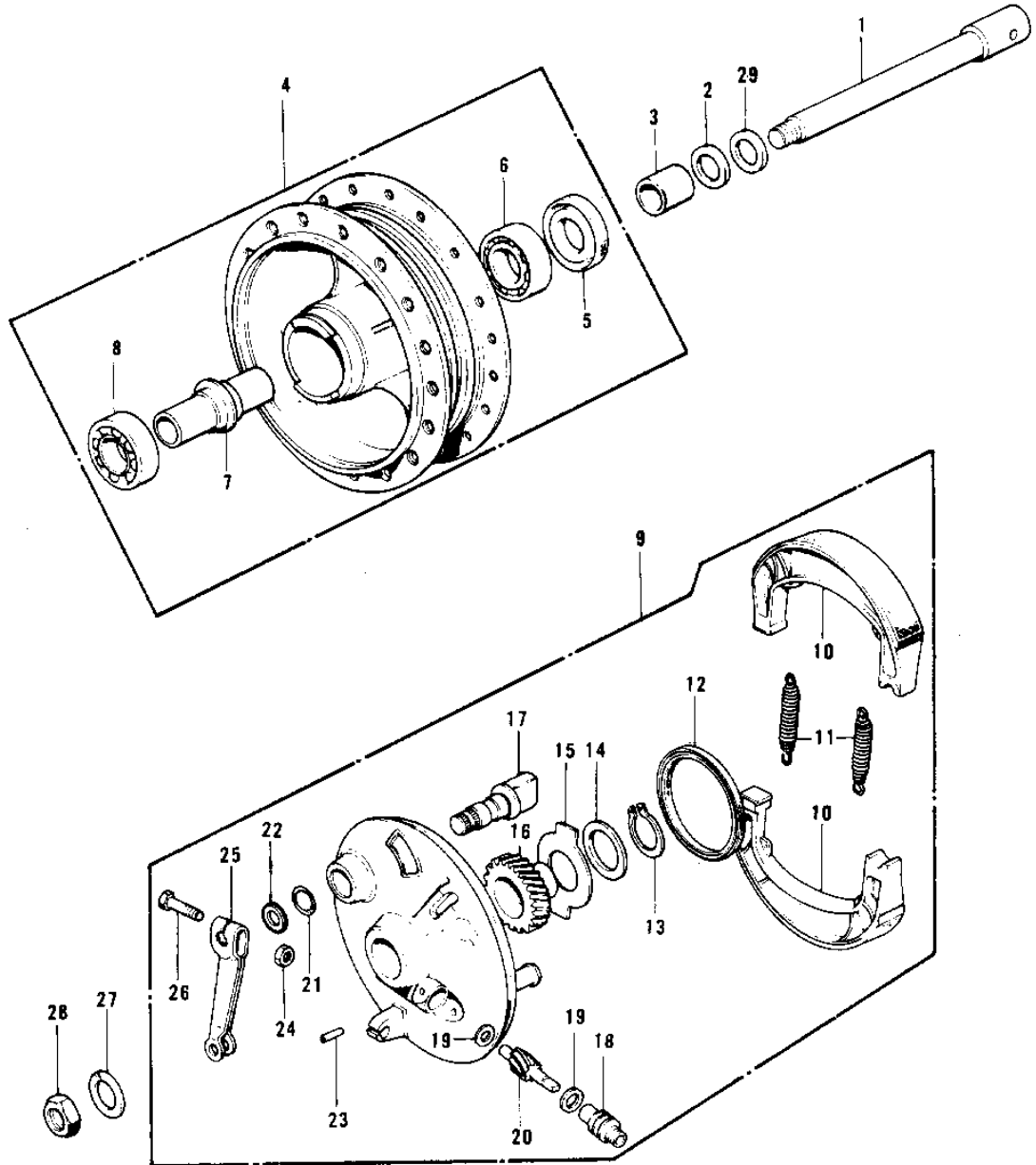


1974 G4TR-D PARTS DIAGRAM

FRONT HUB/BRAKE (70-73)



1974 G4TR-D PARTS LIST

FRONT HUB/BRAKE ('70-73)

ITEM NAME	PART NUMBER	QUANTITY
AXLE-FRONT (Ref # 1)	41068-039	
DUST SHIELD FRNT DRUM (Ref # 2)	41042-002	
COLLAR FRONT HUB R.H (Ref # 3)	41069-002	
DRUM-ASSY,FR BRK (Ref # 4)	41034-1040	
DRUM-ASSY,FR BRK (Ref # 4)	41034-1040	
OIL SEAL FRONT DRUM (Ref # 5)	92050-003	
BEARING BALL #6200 (Ref # 6)	601B6200	
SPACER FRONT HUB (Ref # 7)	41039-002	
BEARING BALL #6300Z (Ref # 8)	601B6300Z	
PANEL-ASY,FR BRK BUFF (Ref # 9)	41035-071-80	
PANEL-ASY,FR BRK BUFF (Ref # 9)	41035-071-80	
SHOE-BRAKE (Ref # 10)	41048-1085	
SPRING,BRAKE SHOE (Ref # 11)	92081-1766	
OIL SEAL BRAKE PANEL (Ref # 12)	92050-002	
CIRCLIP 15MM (Ref # 13)	480J1500	
WASHER SPEED GR THRST (Ref # 14)	41065-002	
RECIEVER SPEED GEAR (Ref # 15)	41064-002	
GEAR SPEEDOMETER (Ref # 16)	41059-006	
CAM SHAFT-FRONT BRAKE (Ref # 17)	41050-018	
BUSH SPEEDMETER CABLE (Ref # 18)	41062-001	
WASHER THRST SPD PINI (Ref # 19)	41063-001	
PINION SPEEDOMETER (Ref # 20)	41060-004	
"0" RING,11MM (Ref # 21)	92055-004	
WASHER BRAKE CAM SHT (Ref # 22)	41052-001	
PIN,SPRING (Ref # 23)	41082-001	
NUT,6MM (Ref # 24)	41072-007	
LEVER FRONT BRAKE CAM (Ref # 25)	41053-005	
BOLT-UPSET (Ref # 26)	112G0630	
WASHER SPRING 10MM (Ref # 27)	461F1000	