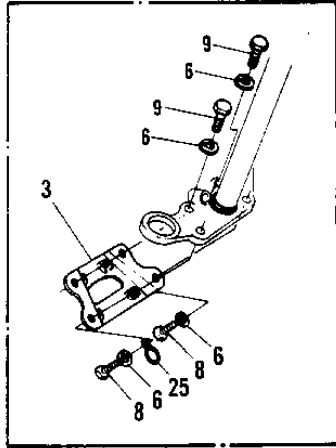
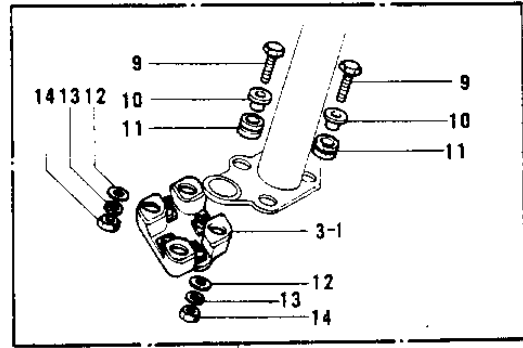


1974 G4TR-D PARTS DIAGRAM

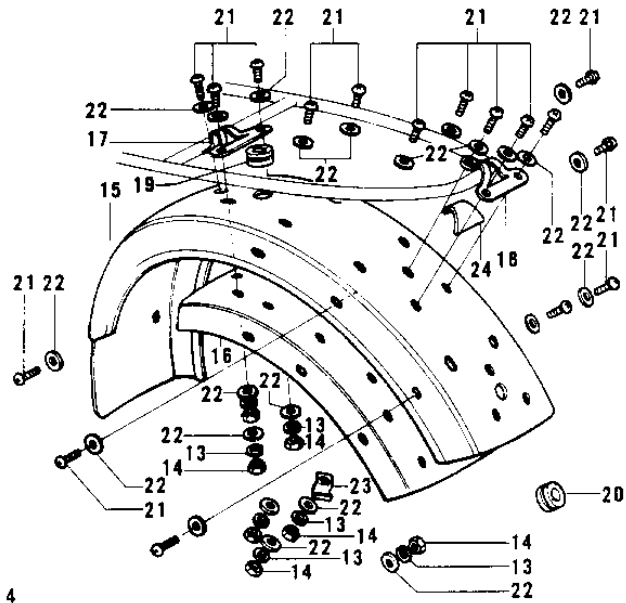
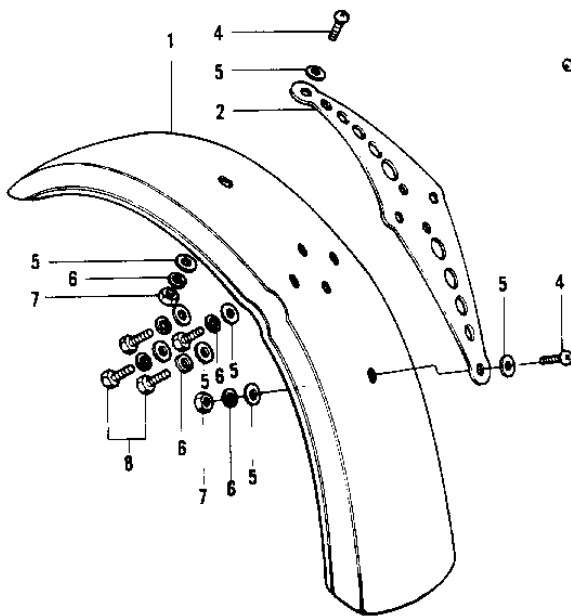
FENDERS G4TR-B/C ('70-73)



G4TR-B



G4TR-C



G4TR-B

1974 G4TR-D PARTS LIST

FENDERS G4TR-B/C ('70-'73)

ITEM NAME	PART NUMBER	QUANTITY
FENDER-FR (Ref # 1)	35004-069	
FENDER-FR (Ref # 1)	35004-070	
PLATE FRONT FENDER (Ref # 2)	35013-003	
PLATE-FRONT FENDER (Ref # 2)	35013-011	
BRACKET FRONT FENDER (Ref # 3)	35012-010	
BRACKET-FRONT FENDER (Ref # 3-1)	35012-017	
SCREW PAN HEAD 6X10 (Ref # 4)	220E0610	
WASHER PLAIN 6MM (Ref # 5)	411B0600	
WASHER SPRING 6MM (Ref # 6)	461F0600	
NUT 6MM (Ref # 7)	312B0600	
BOLT-UPSET,6X12 (Ref # 8)	112G0612	
BOLT-UPSET,6X12 (Ref # 8)	112G0612	
BOLT 6X22 (Ref # 9)	112B0622	
BOLT-UPSET (Ref # 9)	112G0630	
COLLAR (Ref # 10)	92027-153	
DAMPER RUBBER (Ref # 11)	92075-051	
WASHER 6.5X20X1.6T (Ref # 12)	92022-125	
WASHER SPRING 6MM (Ref # 13)	461F0600	
NUT 6MM (Ref # 14)	311B0600	
NUT 6MM (Ref # 14)	311B0600	
FENDER-REAR (Ref # 15)	35022-070	
FENDER-RR (Ref # 15)	35022-073	
GUSSET-REAR FENDER (Ref # 16)	35034-015	
GUSSET-REAR FENDER (Ref # 16)	35034-018	
BRACKET REAR FENDER (Ref # 17)	35025-016	
BRACKET REAR FENDER (Ref # 18)	35025-017	
GROMMET HARNESS 10MM (Ref # 19)	92071-010	
GROMMET HARNESS 10MM (Ref # 20)	92071-019	
SCREW PAN HEAD 6X14 (Ref # 21)	220B0614	