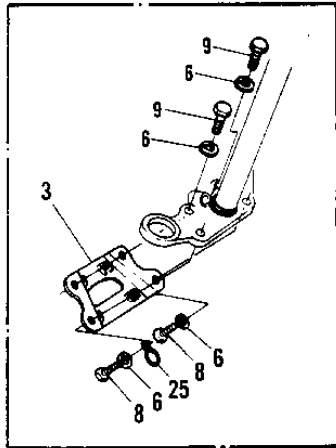
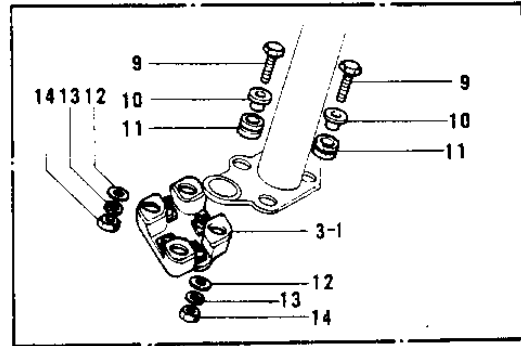


# 1975 G4TR-E PARTS DIAGRAM

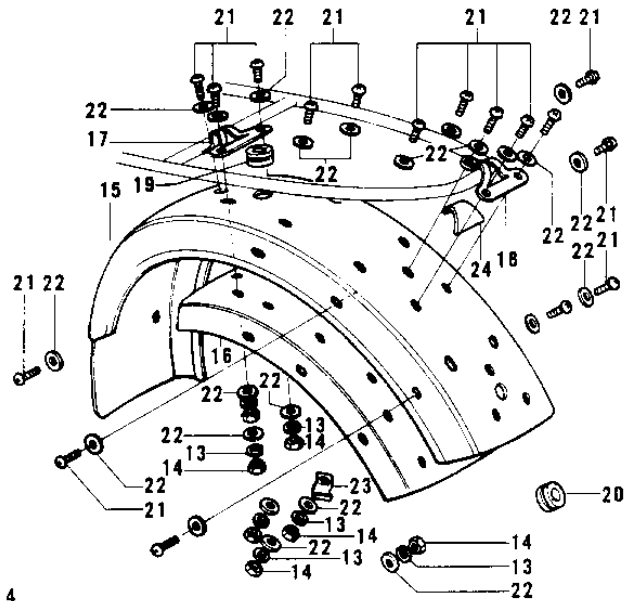
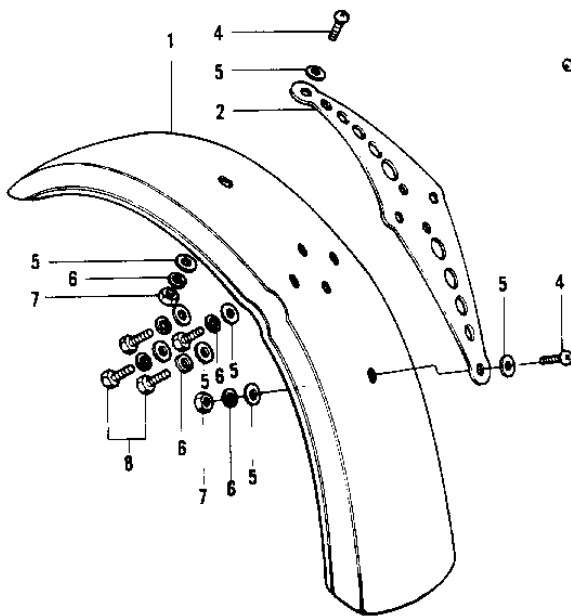
FENDERS G4TR-B/C ('70-73)



G4TR-B



G4TR-C



**G4TR-B**

# 1975 G4TR-E PARTS LIST

## FENDERS G4TR-B/C ('70-'73)

ITEM NAME	PART NUMBER	QUANTITY
FENDER-FR (Ref # 1)	35004-069	1
FENDER-FR (Ref # 1)	35004-070	1
PLATE FRONT FENDER (Ref # 2)	35013-003	1
PLATE-FRONT FENDER (Ref # 2)	35013-011	1
BRACKET FRONT FENDER (Ref # 3)	35012-010	1
BRACKET-FRONT FENDER (Ref # 3-1)	35012-017	1
SCREW PAN HEAD 6X10 (Ref # 4)	220E0610	2
WASHER PLAIN 6MM (Ref # 5)	411B0600	8
WASHER SPRING 6MM (Ref # 6)	461F0600	6
NUT 6MM (Ref # 7)	312B0600	2
BOLT-UPSET,6X12 (Ref # 8)	112G0612	6
BOLT-UPSET,6X12 (Ref # 8)	112G0612	4
BOLT 6X22 (Ref # 9)	112B0622	2
BOLT-UPSET (Ref # 9)	112G0630	4
COLLAR (Ref # 10)	92027-153	4
DAMPER RUBBER (Ref # 11)	92075-051	4
WASHER 6.5X20X1.6T (Ref # 12)	92022-125	4
WASHER SPRING 6MM (Ref # 13)	461F0600	24
NUT 6MM (Ref # 14)	311B0600	20
NUT 6MM (Ref # 14)	311B0600	24
FENDER-REAR (Ref # 15)	35022-070	1
FENDER-RR (Ref # 15)	35022-073	1
GUSSET-REAR FENDER (Ref # 16)	35034-015	1
GUSSET-REAR FENDER (Ref # 16)	35034-018	1
BRACKET REAR FENDER (Ref # 17)	35025-016	1
BRACKET REAR FENDER (Ref # 18)	35025-017	1
GROMMET HARNESS 10MM (Ref # 19)	92071-010	1
GROMMET HARNESS 10MM (Ref # 20)	92071-019	1
SCREW PAN HEAD 6X14 (Ref # 21)	220B0614	20