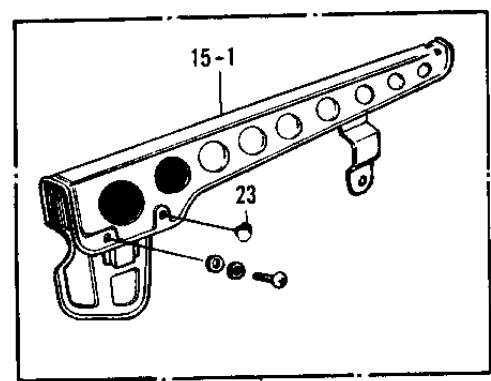
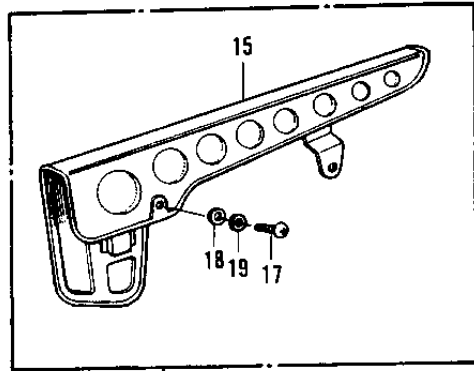
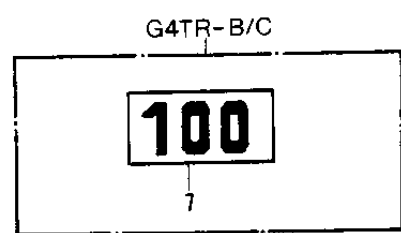
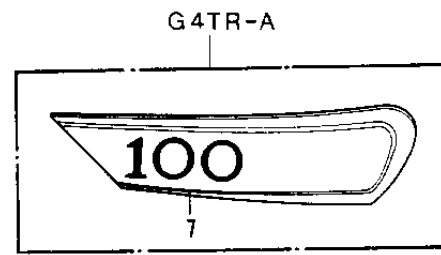
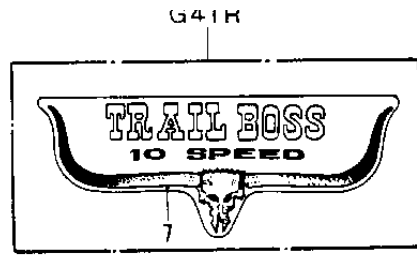
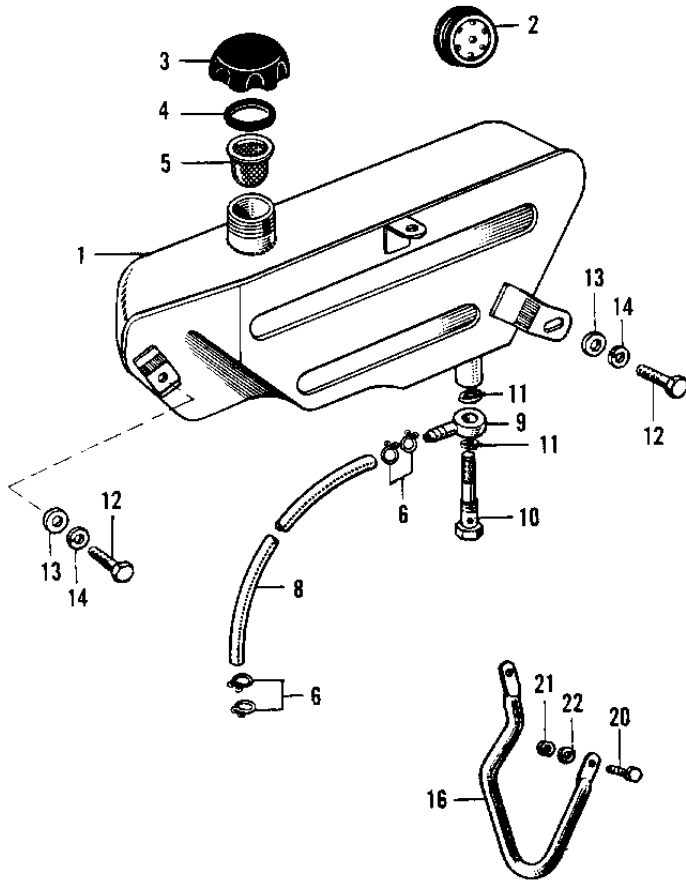


# 1974 G4TR-D PARTS DIAGRAM

OIL TANK/CHAIN COVER (70-73)



G4TR

G4TR-A/B/C

# 1974 G4TR-D PARTS LIST

## OIL TANK/CHAIN COVER ('70-'73)

ITEM NAME	PART NUMBER	QUANTITY
TANK OIL C.RED (Ref # 1)	52001-019-24	
TANK-OIL,P.C.ORANGE (Ref # 1)	52001-019-67	
TANK-OIL,F BLACK (Ref # 1)	52001-019-21	
GAUGE OIL LEVEL (Ref # 2)	52015-001	
CAP OIL TANK (Ref # 3)	52003-001	
GASKET OIL TANK CAP (Ref # 4)	92065-018	
GASKET OIL TANK CAP B (Ref # 5)	52004-001	
CLAMP FUEL PIPE (Ref # 6)	92037-010	
EMBLEM OIL TANK (Ref # 7)	56018-027	
EMBLEM,SILVER (Ref # 7)	56018-068-14	
EMBLEM-OIL TANK (Ref # 7)	56018-111	
EMBLEM-OIL TANK (Ref # 7)	56018-127	
PIPE OIL TANK (Ref # 8)	92059-002	
CONNECTOR BANJO (Ref # 9)	92061-003	
BOLT OIL TANK BANJO (Ref # 10)	92060-001	
GASKET,10,2X15X1.5T (Ref # 11)	11009-1146	
BOLT-UPSET,6X12 (Ref # 12)	112G0612	
WASHER PLAIN 6MM (Ref # 13)	411B0600	
WASHER SPRING 6MM (Ref # 14)	461F0600	
CASE-CHAIN (Ref # 15)	36014-031	
CASE-CHAIN,BLACK (Ref # 15-1)	36014-037-21	
GUARD CHAIN (Ref # 16)	55020-003	
SCREW PAN HEAD 6X14 (Ref # 17)	220B0614	
WASHER PLAIN 6MM (Ref # 18)	411B0600	
WASHER SPRING 6MM (Ref # 19)	461F0600	
BOLT,8X20 (Ref # 20)	115G0820	
NUT 8MM (Ref # 21)	312B0800	
WASHER SPRING 8MM (Ref # 22)	461F0800	
PLUG-RUBBER (Ref # 23)	92074-018	