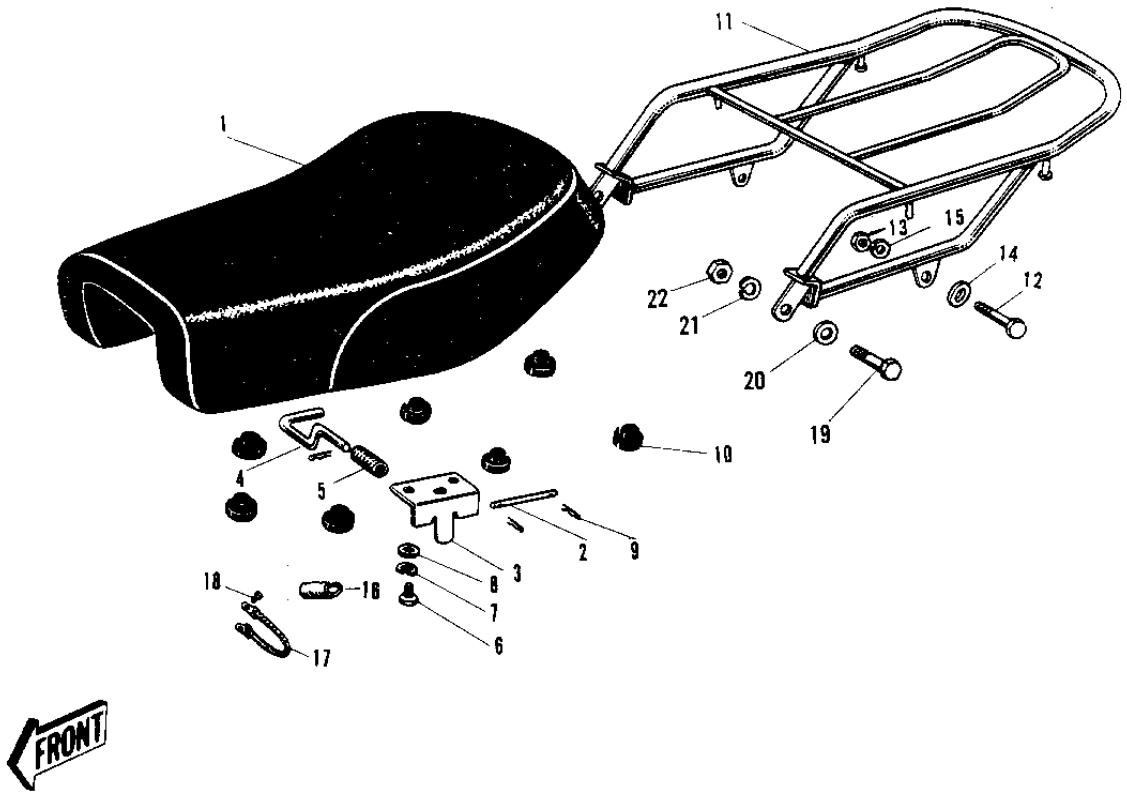


1972 G4TR-B PARTS DIAGRAM

SEAT/CARRIER ('70-'73)



F
-

10F

1972 G4TR-B PARTS LIST

SEAT/CARRIER ('70-'73)

ITEM NAME	PART NUMBER	QUANTITY
SEAT DUAL (Ref # 1)	53002-013	
SEAT ASSY-DUAL (Ref # 1)	53002-032	
SEAT ASSY-DUAL (Ref # 1)	53002-040	
PIN SEAT (Ref # 2)	32111-004	
HINGE (Ref # 3)	53009-014	
HOOK SEAT (Ref # 4)	53008-007	
SPRING (Ref # 5)	53012-004	
BOLT-UPSET,6X12 (Ref # 6)	112G0612	
WASHER SPRING 8MM (Ref # 7)	461F0800	
WASHER PLAIN 8MM (Ref # 8)	411B0800	
COTTER PIN (Ref # 9)	92041-003	
DAMPER RUBB DUAL SEAT (Ref # 10)	92075-023	
CARRIER-LUGGAGE (Ref # 11)	53029-037	
BOLT (Ref # 12)	114G0836	
NUT,8MM (Ref # 13)	311B0800	
WASHER PLAIN 8MM (Ref # 14)	410B0800	
WASHER SPRING 8MM (Ref # 15)	461F0800	
COLLAR-SEAT HOOK (Ref # 16)	92027-106	
BAND-SEAT STOPPER (Ref # 17)	92072-038	
BOLT,6X10 (Ref # 18)	112G0610	
BOLT,HEX HEAD 10X35 (Ref # 19)	92001-1252	
WASHER PLAIN 10MM (Ref # 20)	410B1000	
WASHER SPRING 10MM (Ref # 21)	461F1000	
NUT (10MM) (Ref # 22)	311B1000	