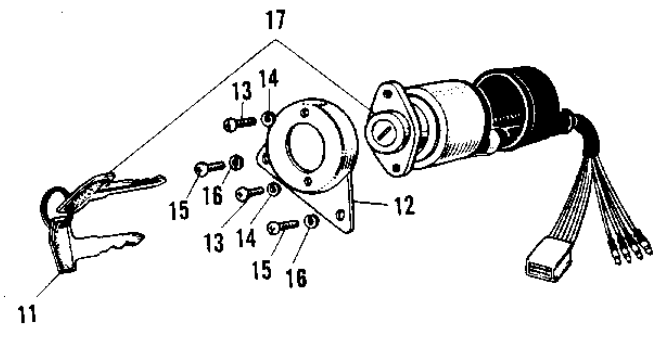
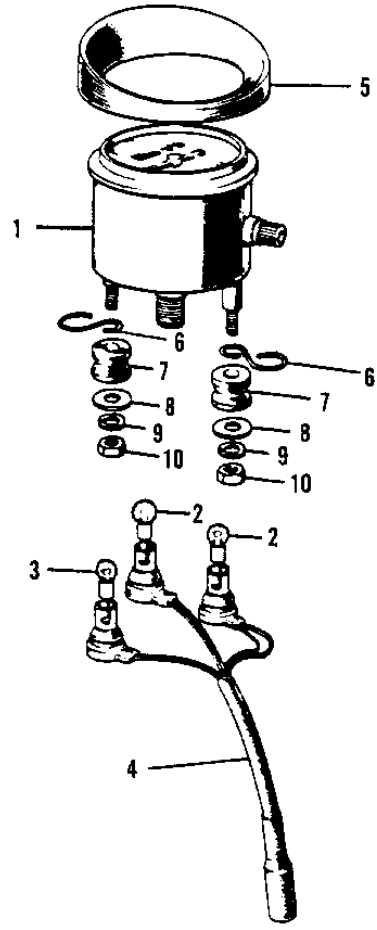


1970 Trail Boss PARTS DIAGRAM

METER/IGNITION SWITCH G4TR/A/B ('70-'73)



G4TR/A

1970 Trail Boss PARTS LIST

METER/IGNITION SWITCH G4TR/A/B ('70-'73)

ITEM NAME	PART NUMBER	QUANTITY
SPEEDOMETER ASSY MPH (Ref # 1)	25005-039	1
BULB 6V 1.5W (Ref # 2)	92069-024	2
BULB-6V 3W (Ref # 3)	92069-053	1
SOCKET SPEEDOMETER (Ref # 4)	25011-013	1
COVER-SPEEDOMETER (Ref # 5)	25012-005	1
CLAMP CABLE (Ref # 6)	25022-002	2
DAMPER RUBB SPEEDMETR (Ref # 7)	92075-024	2
WASHER 6.5X20X1.6T (Ref # 8)	92022-125	2
WASHER SPRING 6MM (Ref # 9)	461F0600	2
NUT 6MM (Ref # 10)	311B0600	2
KEY SET NO.235 (Ref # 11)	27008-034-35	X
KEY SET NO.239 (Ref # 11)	27008-034-39	X
KEY SET NO.321 (Ref # 11)	27008-034-21	X
KEY SET NO.324 (Ref # 11)	27008-034-24	X
KEY,BLANK (Ref # 11)	27008-1016	X
KEY,BLANK (Ref # 11)	27008-1017	X
KEY,BLANK (Ref # 11)	27008-1018	X
KEY,BLANK (Ref # 11)	27008-1019	X
HOUSING IGNITION SW (Ref # 12)	27009-007	1
SCREW PAN HEAD 5X12 (Ref # 13)	220B0512	2
WASHER SPRING 5MM (Ref # 14)	461F0500	2
SCREW PAN HEAD 6X12 (Ref # 15)	220E0612	2
WASHER SPRING 6MM (Ref # 16)	461F0600	2
SWITCH ASSY,IGNITION (Ref # 17)	27005-1016	1
SWITCH ASSY,IGNITION (Ref # 17)	27005-1016	1