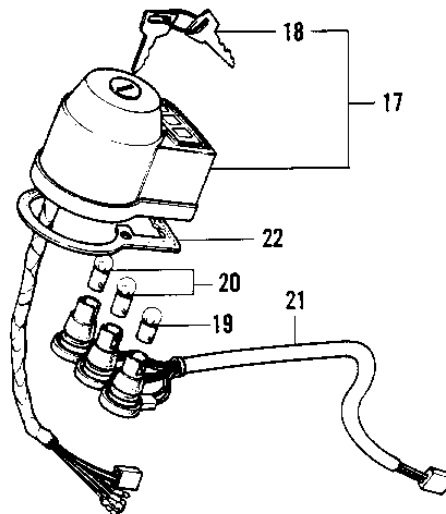
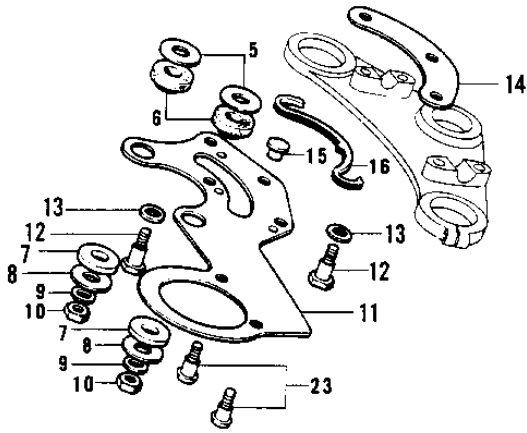
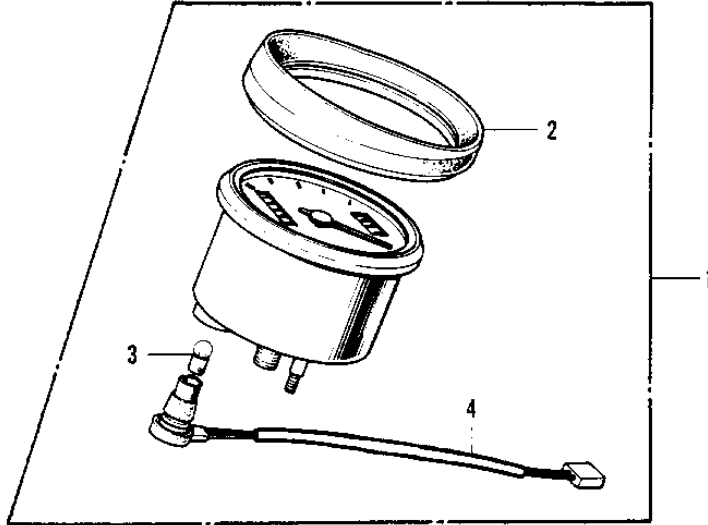


1975 G4TR-E PARTS DIAGRAM

METERS/IGNITION SWITCH G4TR-C ('70-'73)



FRONT

G4TR

1975 G4TR-E PARTS LIST

METERS/IGNITION SWITCH G4TR-C ('70-'73)

ITEM NAME	PART NUMBER	QUANTITY
SPEEDOMETER ASSY,MPH (Ref # 1)	25001-049	1
UNAVAILABLE IN PRICE BOOK (Ref # 1)	25001-054	1
COVER-SPEEDOMETER (Ref # 2)	25012-003	1
BULB-6V 3W (Ref # 3)	92069-053	1
SOCKET-SPEEDOMETER (Ref # 4)	25011-022	1
WASHER PLAIN 8MM (Ref # 5)	411B0800	2
DAMPER RUBBER (Ref # 6)	92075-065	2
DAMPER RUBBER (Ref # 7)	92075-066	2
WASHER PL 5.5X20X1.2 (Ref # 8)	92022-104	2
WASHER SPRING 5MM (Ref # 9)	461F0500	2
NUT,5MM (Ref # 10)	311B0500	2
BRACKET-SPEEDOMETER (Ref # 11)	25008-016	1
BOLT-HEX HEAD,6MM (Ref # 12)	92003-069	3
WASHER PLAIN 8MM (Ref # 13)	410B0800	3
DAMPER RUBBER-BRACKET (Ref # 14)	25019-007	1
DAMPER RUBB SPEEDMETR (Ref # 15)	92075-035	1
SHOCK DAMPER (Ref # 16)	25019-009	1
SWITCH ASSY,IGNITION (Ref # 17)	27005-067	1
SWITCH ASSY,IGNITION (Ref # 17)	27005-067	1
KEY SET,#170 (Ref # 18)	27008-042-70	X
KEY SET,#174 (Ref # 18)	27008-042-74	X
KEY,BLANK (Ref # 18)	27008-1024	X
KEY,BLANK (Ref # 18)	27008-1025	X
BULB-6V 3W (Ref # 19)	92069-053	1
BULB 6V 1.5W (Ref # 20)	92069-024	2
SOCKET-IGNITION SW. (Ref # 21)	27024-001	1
DAMPER RUBBER-SWITCH (Ref # 22)	27025-001	1
SCREW-PAN HEAD,6MM (Ref # 23)	92011-026	2