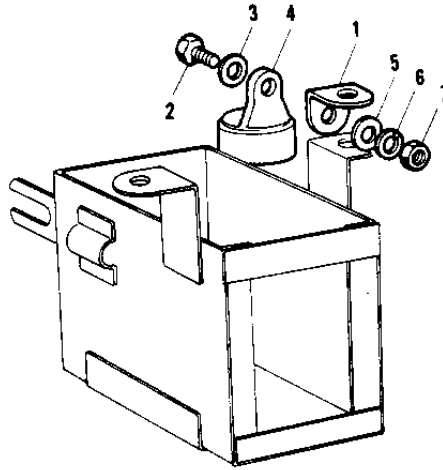
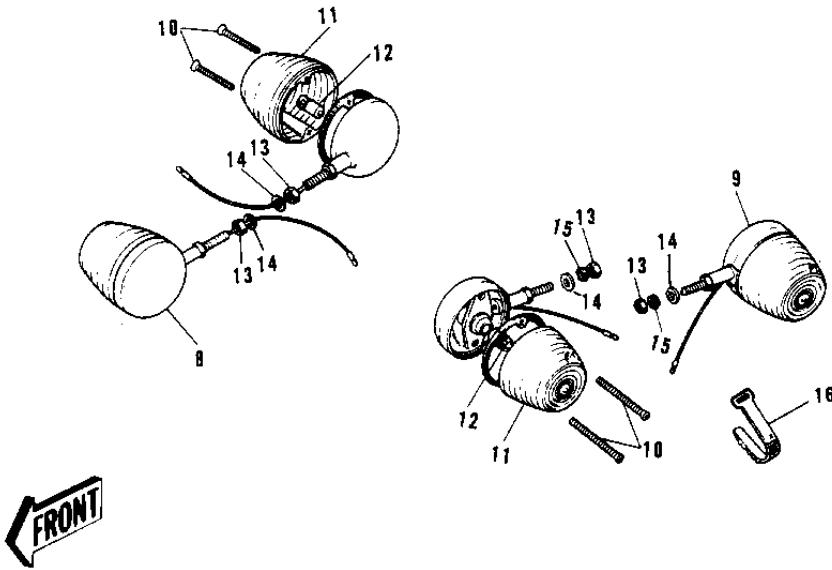


# 1974 G4TR-D PARTS DIAGRAM

TURN SIGNALS G4TR-B OPTIONAL ('70-'73)



10



**G4TR**

## 1974 G4TR-D PARTS LIST

TURN SIGNALS G4TR-B OPTIONAL ('70-'73)

ITEM NAME	PART NUMBER	QUANTITY
UNAVAILABLE IN PRICE BOOK (Ref # 1)	32064-005	
BOLT, HEX HEAD, 6 X 16 (Ref # 2)	110B0600	
WASHER PLAIN 6MM (Ref # 3)	411B0600	
RELAY TURN SIGNAL (Ref # 4)	27002-005	
WASHER 6.5X20X1.6T (Ref # 5)	92022-125	
WASHER SPRING 6MM (Ref # 6)	461F0600	
NUT 6MM (Ref # 7)	311B0600	
LAMP-FRNT TURN SIGNAL (Ref # 8)	23040-031	
LAMP-REAR TURN SIGNAL (Ref # 9)	23043-028	
SCREW OVL CNTSNK 3X15 (Ref # 10)	222B0315A	
LENS TURN SIGNAL LAMP (Ref # 11)	23048-011	
BULB,6V 8W (Ref # 12)	92069-042	
NUT,10MM (Ref # 13)	315N1000	
WASHER PLAIN 10MM (Ref # 14)	410B1000	
WASHER SPRING 10MM (Ref # 15)	461F1000	
BAND,SHORT (Ref # 16)	92072-030	