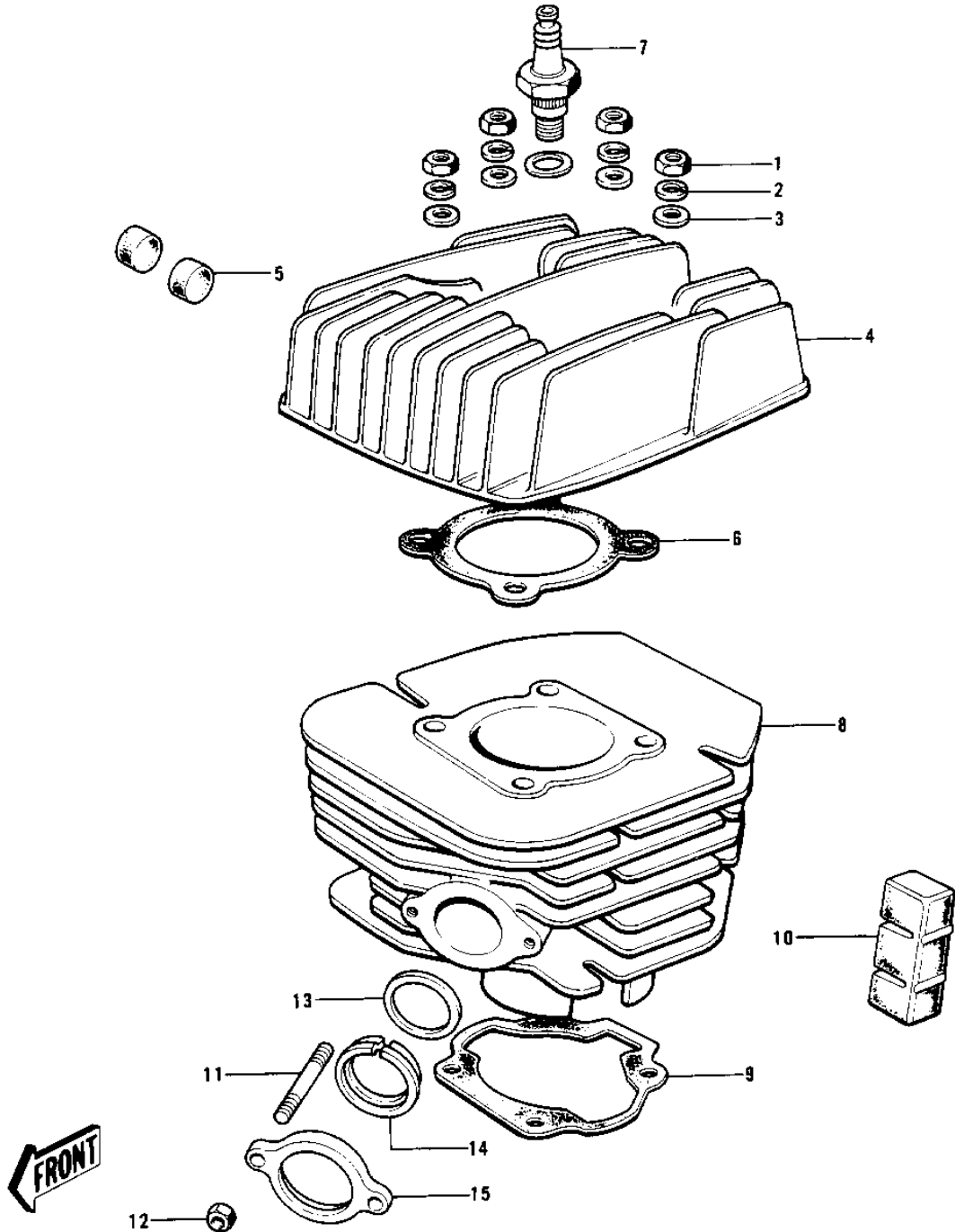


# 1970 Trail Boss PARTS DIAGRAM

CYLINDER HEAD/CYLINDER (74-'75)



## 1970 Trail Boss PARTS LIST

CYLINDER HEAD/CYLINDER ('74-'75)

ITEM NAME	PART NUMBER	QUANTITY
NUT,8MM (Ref # 1)	311B0800	4
WASHER SPRING 8MM (Ref # 2)	461F0800	4
WASHER PLAIN 8MM (Ref # 3)	410B0800	4
CYLINDER HEAD,F.BLACK (Ref # 4)	11001-090-21	1
DAMPER RUBBER-CYL-HD (Ref # 5)	92075-109	13
GASKET CYLINDER HEAD (Ref # 6)	11004-033	1
SPARK PLUG B7HS (Ref # 7)	B7HS	1
CYLINDER,FLAT BLACK (Ref # 8)	11005-115-21	1
CYLINDER-ENGINE (Ref # 8)	11005-1141	1
GASKET,CYLINDER BASE (Ref # 9)	11060-1200	1
DAMPER RUBBER,CYLINDR (Ref # 10)	92075-213	4
STUD,6MM (Ref # 11)	92004-051	2
NUT (Ref # 12)	92019-008	2
GASKET,EXHAUST PIPE (Ref # 13)	11009-1992	1
INSERT,EXH PIPE HLDR (Ref # 14)	18070-009	1
HOLDER,EXH PIPE,BLACK (Ref # 15)	18069-052-21	1