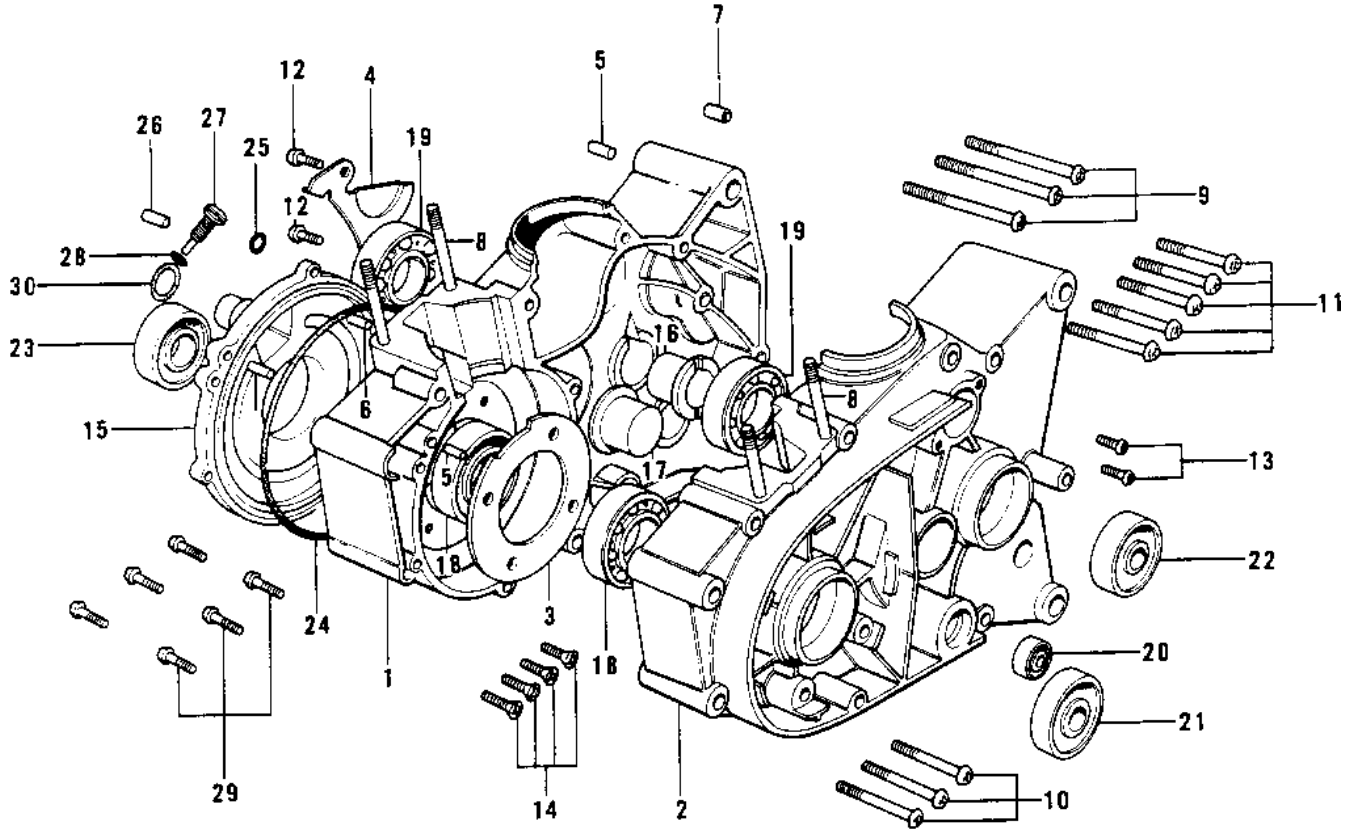


1970 Trail Boss PARTS DIAGRAM

CRANKCASE ('74-'75)



1970 Trail Boss PARTS LIST

CRANKCASE ('74-'75)

ITEM NAME	PART NUMBER	QUANTITY
-----------	-------------	----------