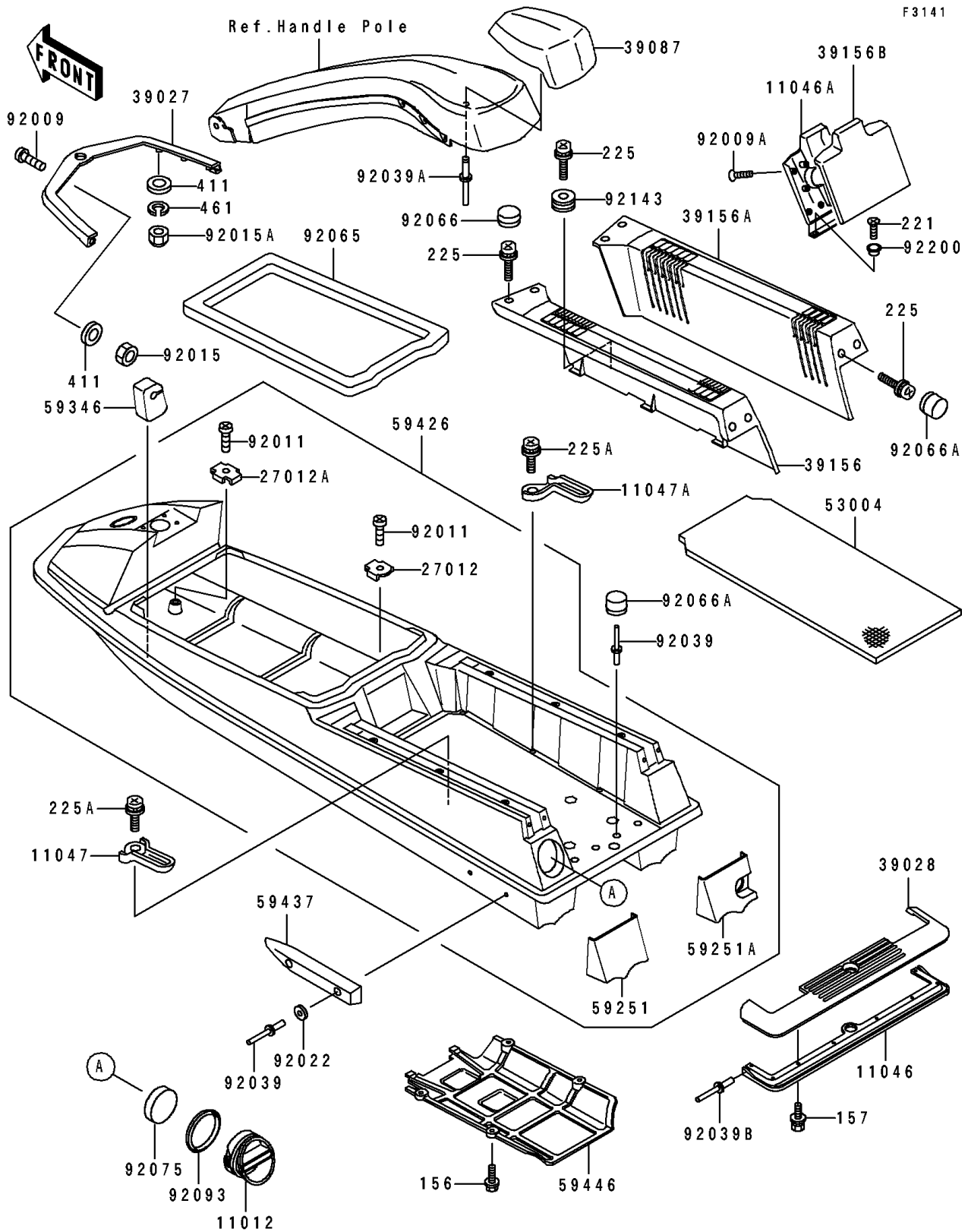


# 1991 550 SX PARTS DIAGRAM

Hull



# 1991 550 SX PARTS LIST

## Hull

| ITEM NAME                                  | PART NUMBER   | QUANTITY |
|--|---------------|----------|
| CAP,FIRE EXTINGUISHER (Ref # 11012)        | 11012-3741    | 1        |
| BRACKET,REAR BUMPER (Ref # 11046)          | 11046-3829    | 1        |
| BRACKET,CONTROL PANEL COVER (Ref # 11046A) | 11046-3835    | 1        |
| BRACKET,DECK,PAD,LH (Ref # 11047)          | 11047-3703    | 3        |
| BRACKET,DECK,PAD,RH (Ref # 11047A)         | 11047-3704    | 3        |
| HOOK (Ref # 27012)                         | 27012-501     | 5        |
| HOOK (Ref # 27012A)                        | 27012-502     | 2        |
| BUMPER-FRONT (Ref # 39027)                 | 39027-3713    | 1        |
| BUMPER-REAR (Ref # 39028)                  | 39028-3705    | 1        |
| PAD-HANDLE,POLE (Ref # 39087)              | 39087-3701    | 1        |
| PAD,DECK,LH (Ref # 39156)                  | 39156-3731    | 1        |
| PAD,DECK,RH (Ref # 39156A)                 | 39156-3732    | 1        |
| PAD,CONTROL PANEL COVER (Ref # 39156B)     | 39156-3733    | 1        |
| MAT,DECK (Ref # 53004)                     | 53004-3731    | 1        |
| HULL,LH,EXTENSION,JET WHITE (Ref # 59251)  | 59251-3006-8C | 1        |
| HULL,RH,EXTENSION,JET WHITE (Ref # 59251A) | 59251-3713-8C | 1        |
| DETENT (Ref # 59346)                       | 59346-504     | 3        |
| HULL-COMP,JET WHITE (Ref # 59426)          | 59426-3777-8C | 1        |
| STABILIZER (Ref # 59437)                   | 59437-3002    | 2        |
| COVER-JET PUMP (Ref # 59446)               | 59446-3718    | 1        |
| SCREW,5X22 (Ref # 92009)                   | 92009-3761    | 6        |
| SCREW,4X8 (Ref # 92009A)                   | 92009-3770    | 10       |
| SCREW,TAPPING (Ref # 92011)                | 92011-561     | 9        |
| NUT,FLANGED,5MM (Ref # 92015)              | 92015-3768    | 6        |
| NUT,CAP,5MM (Ref # 92015A)                 | 92015-3802    | 6        |
| WASHER,5X16X1.5 (Ref # 92022)              | 92022-3041    | 4        |
| RIVET (Ref # 92039)                        | 92039-3002    | 8        |
| RIVET (Ref # 92039A)                       | 92039-3712    | 6        |
| RIVET (Ref # 92039B)                       | 92039-3733    | 2        |

# 1991 550 SX PARTS LIST

## Hull

| ITEM NAME                            | PART NUMBER | QUANTITY |
|--------------------------------------|-------------|----------|
| GASKET,ENGINE HOOD (Ref # 92065)     | 92065-539   | 1        |
| PLUG (Ref # 92066)                   | 92066-3731  | 4        |
| PLUG (Ref # 92066A)                  | 92066-3734  | 8        |
| DAMPER (Ref # 92075)                 | 92075-3719  | 1        |
| SEAL,OSR70X82X7.5 (Ref # 92093)      | 92093-3704  | 1        |
| COLLAR (Ref # 92143)                 | 92143-3711  | 6        |
| WASHER (Ref # 92200)                 | 92200-3706  | 2        |
| BOLT-WP,6X25 (Ref # 156)             | 156R0625    | 4        |
| BOLT-WSP,5X20 (Ref # 157)            | 157R0520    | 8        |
| SCREW-CSK-CROS,6X16 (Ref # 221)      | 221R0616    | 2        |
| SCREW-PAN-WSP-CROS,6X16 (Ref # 225)  | 225R0616    | 14       |
| SCREW-PAN-WSP-CROS,6X20 (Ref # 225A) | 225R0620    | 6        |
| WASHER-PLAIN,5MM (Ref # 411)         | 411S0500    | 12       |
| WASHER-SPRING,5MM (Ref # 461)        | 461S0500    | 6        |