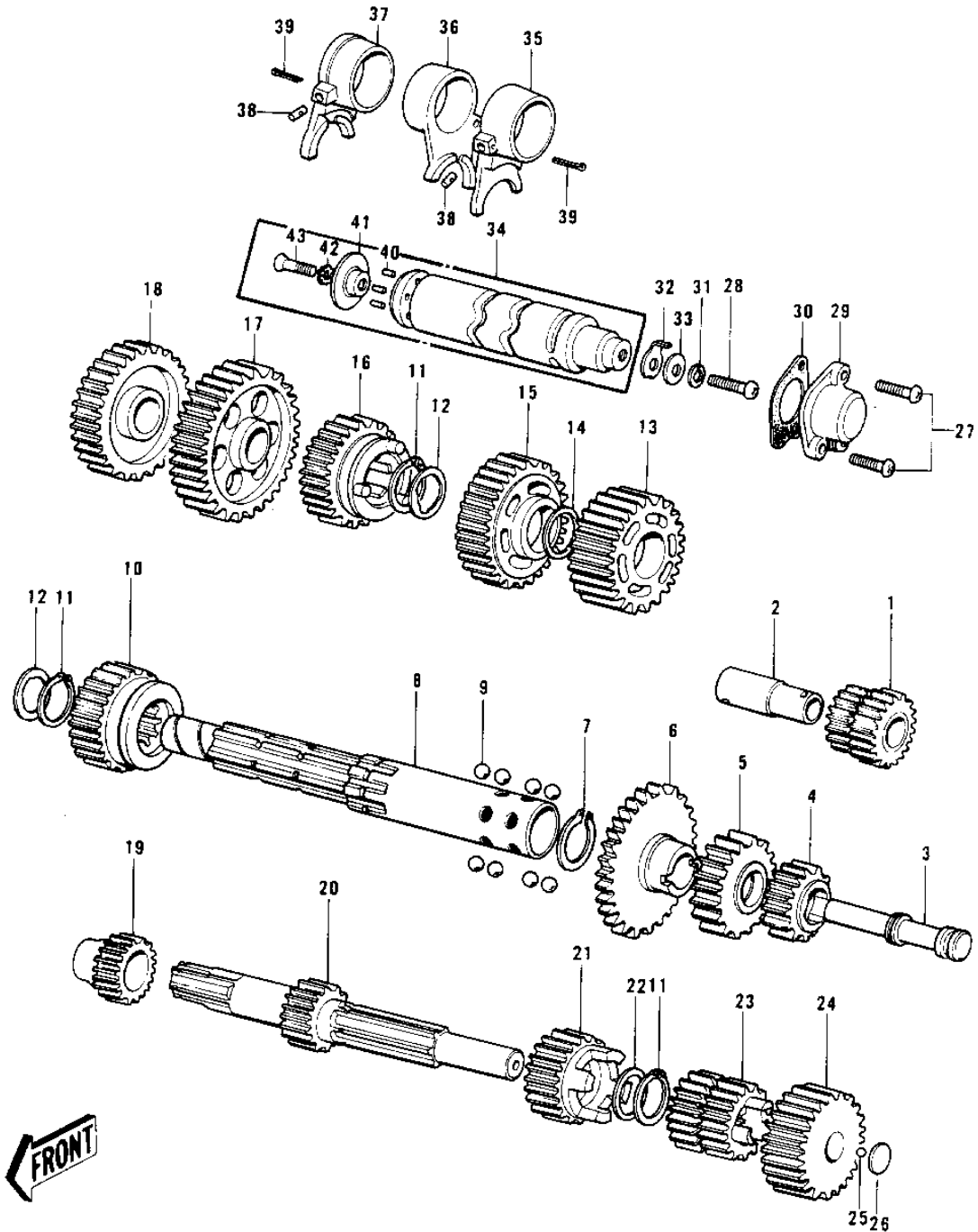


# 1976 KV100-A7 PARTS DIAGRAM

TRANSMISSION/CHANGE DRUM 1/2 ('74-'75)



# 1976 KV100-A7 PARTS LIST

TRANSMISSION/CHANGE DRUM 1/2 ('74-'75)

ITEM NAME	PART NUMBER	QUANTITY
GEAR COUNTER (Ref # 1)	13177-005	1
GEAR,COUNTER SHAFT (Ref # 1)	13177-007	1
SHAFT COUNTER (Ref # 2)	13180-001	1
ROD,SHIFT (Ref # 3)	49047-1005	1
GEAR LOW (Ref # 4)	13177-001	1
GEAR,LOW (Ref # 4)	13177-006	1
GEAR HIGH (Ref # 5)	13177-004	1
ENGINE SPROCKET 15T (Ref # 6)	13144-038	1
CIRCLIP 24MM (Ref # 7)	480J2400	1
SHAFT-OUTPUT (Ref # 8)	13128-035	1
BALL STEEL 5/16" (Ref # 9)	600A1000	8
TOP GEAR OUTPUT SHAFT (Ref # 10)	13137-012	1
CIRCLIP (Ref # 11)	92033-014	3
WASHER-LOCK (Ref # 12)	92024-030	2
3RD GEAR OUTPUT SHAFT (Ref # 13)	13133-005	1
WASHER THRUST (Ref # 14)	92022-146	1
2ND GEAR OUTPUT SHAFT (Ref # 15)	13131-008	1
GEAR-TRANSMISSION SPU (Ref # 16)	13129-1708	1
LOW GEAR OUTPUT SHAFT (Ref # 17)	13129-010	1
IDLE GEAR (Ref # 18)	13073-004	1
PINION KICKSTARTER (Ref # 19)	13075-004	1
SHAFT,DRIVE (Ref # 20)	13127-032	1
4TH GEAR,DRIVE (Ref # 21)	13129-1053	1
WASHER THRUST (Ref # 22)	92022-118	1
2ND&3RD GEAR,DRIVE (Ref # 23)	13129-1052	1
GEAR,INPUT TOP,24T (Ref # 24)	13129-1927	1
BALL STEEL 7/32" (Ref # 25)	600A0700	1
WASHER THRUST (Ref # 26)	92022-115	1
SCREW PAN HEAD 6X16 (Ref # 27)	220B0616	2

# 1976 KV100-A7 PARTS LIST

## TRANSMISSION/CHANGE DRUM 1/2 ('74-'75)

ITEM NAME	PART NUMBER	QUANTITY
SCREW PAN HEAD 6X14 (Ref # 28)	220B0614	1
SWITCH,NEUTRAL (Ref # 29)	13151-1001	1
SWITCH,NEUTRAL (Ref # 29)	13151-1002	1
GASKET NEUTRAL SWITCH (Ref # 30)	13146-002	1
WASHER SPRING 6MM (Ref # 31)	461F0600	1
ROTOR,NEUTRAL INDICTR (Ref # 32)	21007-1003	1
WASHER PLAIN 6MM (Ref # 33)	410B0600	1
DRUM ASSY-GEAR CHANGE (Ref # 34)	13239-005	1
FORK SELECTOR 3RD (Ref # 35)	13140-009	1
FORK SELECTOR 4TH-TOP (Ref # 36)	13140-017	1
FORK SELECTOR LOW-2ND (Ref # 37)	13140-010	1
PIN SELECT FORK GUIDE (Ref # 38)	92043-005	3
PIN COTTER 3.0X20 (Ref # 39)	550D3020	3
PIN GEAR CHANGE DRUM (Ref # 40)	92042-014	6
PLATE CHANGE DRUM PIN (Ref # 41)	13142-008	1
WASHER LOCK 6MM (Ref # 42)	464H0600	1
SCREW PAN HEAD 6X12 (Ref # 43)	220B0612	1