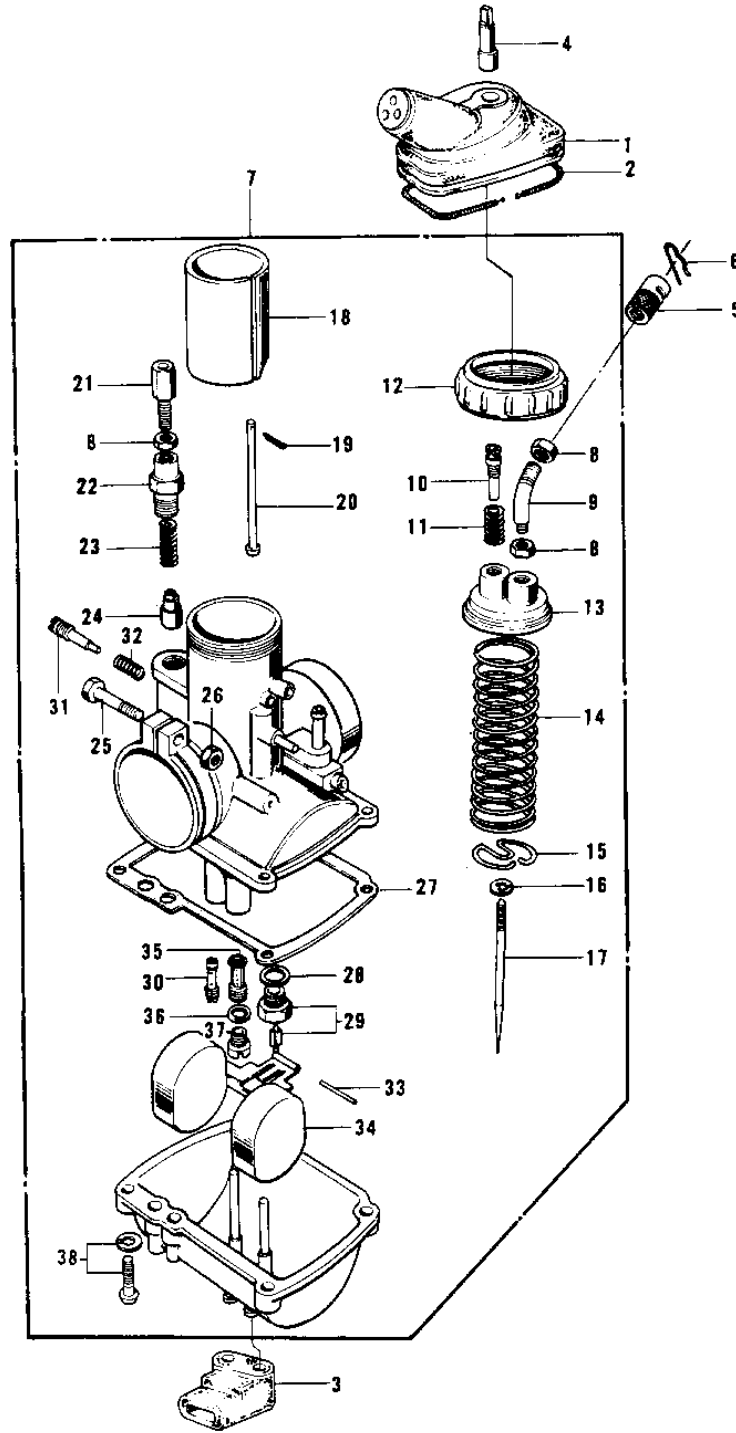


# 1970 Trail Boss PARTS DIAGRAM

CARBURETOR G4TR-D ('74-'75)



**G4TR-D**

# 1970 Trail Boss PARTS LIST

## CARBURETOR G4TR-D ('74-'75)

ITEM NAME	PART NUMBER	QUANTITY
CAP,CARBURETOR (Ref # 1)	14038-033	1
SPRING COIL (Ref # 2)	92081-047	1
GROMMET,OVER FLOW (Ref # 3)	16136-007	1
PLUG,CARBURETOR CAP (Ref # 4)	16147-001	1
CABLE ADJUSTER (Ref # 5)	16002-007	1
CIRCLIP (Ref # 6)	92036-018	1
CARBURETOR ASSY (Ref # 7)	16001-196	1
NUT CABLE ADJUST LOCK (Ref # 8)	16003-004	3
CABLE GUIDE (Ref # 9)	16077-001	1
SCREW,THROTTLE STOP (Ref # 10)	16021-002	1
SPRING THR STOP SCREW (Ref # 11)	16022-005	1
CAP MIXING CHAMBER (Ref # 12)	16004-010	1
TOP MIXING CHAMBER (Ref # 13)	16005-005	1
SPRING THROTTLE VALVE (Ref # 14)	16006-013	1
SPRING SEAT,THRTL TL (Ref # 15)	16007-020	1
CIRCLIP (Ref # 16)	16008-010	1
JET NEEDLE 4EJ7 (Ref # 17)	16009-059	1
VALVE,THROTTLE CA2.0 (Ref # 18)	16025-057	1
PIN COTTER 1.2X10 (Ref # 19)	550D1210	1
ROD,THROTTLE VLV STP (Ref # 20)	16024-012	1
CABLE ADJUSTER (Ref # 21)	16002-002	1
CAP STARTER PLUNGER (Ref # 22)	16012-004	1
SPRING-PLUNGER (Ref # 23)	16013-003	1
PLUNGER-ENRICHNER (Ref # 24)	16016-002	1
SCREW CLAMP (Ref # 25)	16010-004	1
NUT 6MM (Ref # 26)	311B0600	1
GASKET,FLOAT CHAMBER (Ref # 27)	16019-021	1
WASHER VALVE SEAT (Ref # 28)	16029-002	1
FLOAT VALVE ASSY (Ref # 29)	16030-001	1

## 1970 Trail Boss PARTS LIST

CARBURETOR G4TR-D ('74-'75)

ITEM NAME	PART NUMBER	QUANTITY
PILOT JET #17.5 ISO (Ref # 30)	92064-020	1
SCREW PILOT AIR ADJST (Ref # 31)	16014-002	1
SPRING-THR STOP SCREW (Ref # 32)	16022-007	1
FLOAT PIN (Ref # 33)	16032-003	1
FLOAT (Ref # 34)	16031-015	1
NEEDLE JET O-4 (Ref # 35)	16017-081	1
WASHER MAIN JET (Ref # 36)	16034-001	1
MAIN JET NO 75R (Ref # 37)	92063-109	1
SCREW-FLOAT CHAMBER (Ref # 38)	16033-012	4