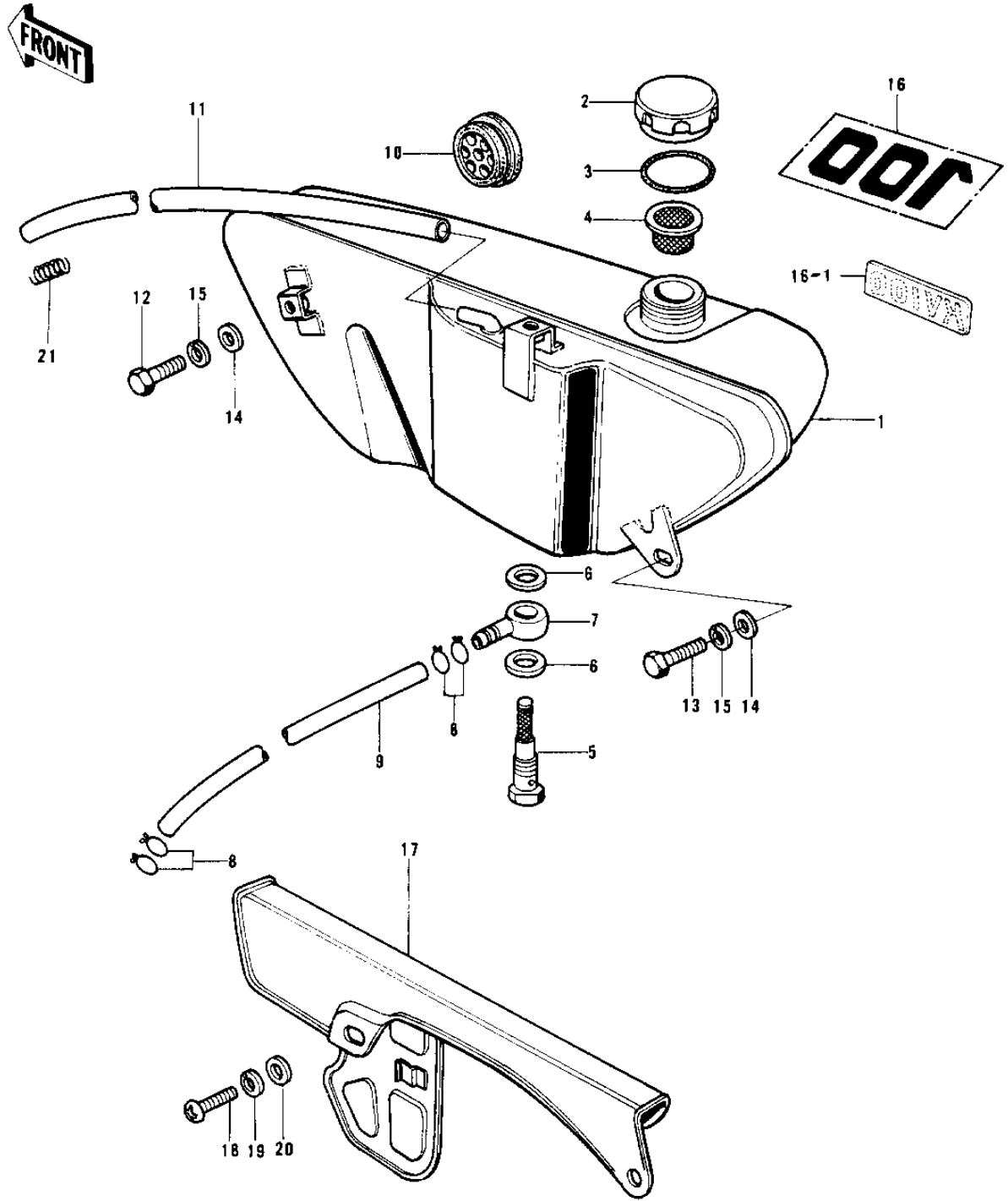


1973 G4TR-C PARTS DIAGRAM

OIL TANK/CHAIN COVER ('74-'75)



1973 G4TR-C PARTS LIST

OIL TANK/CHAIN COVER ('74-'75)

ITEM NAME	PART NUMBER	QUANTITY
TANK,OIL,C.SUPPER RED (Ref # 1)	52001-039-1R	
TANK,OIL,V.YELLOW (Ref # 1)	52001-039-3E	
TANK,OIL,C.RED (Ref # 1)	52001-045-3R	
CAP-OIL TANK (Ref # 2)	52003-018	
GASKET OIL TANK CAP (Ref # 3)	92065-018	
GASKET-OIL TANK (Ref # 3)	92065-086	
GASKET OIL TANK CAP B (Ref # 4)	52004-001	
BOLT OIL TANK BANJO (Ref # 5)	92060-001	
GASKET,10,2X15X1.5T (Ref # 6)	11009-1146	
CONNECTOR BANJO (Ref # 7)	92061-003	
CLAMP FUEL PIPE (Ref # 8)	92037-010	
PIPE-OIL (Ref # 9)	92059-072	
GAUGE OIL LEVEL (Ref # 10)	52015-001	
TUBE-VINYL,5X540 (Ref # 11)	700Q05540	
TUBE-VINYL,5X600 (Ref # 11)	700Q05600	
BOLT-UPSET (Ref # 12)	112G0618	
BOLT-UPSET 6X14 (Ref # 13)	112B0614	
WASHER PLAIN 6MM (Ref # 14)	411B0600	
WASHER SPRING 6MM (Ref # 15)	461F0600	
EMBLEM-OIL TANK (Ref # 16)	56018-127	
EMBLEM,OIL TANK (Ref # 16)	56018-182	
MARK,OIL TANK (Ref # 16-1)	56018-1109	
CASE-CHAIN,FR BLACK (Ref # 17)	36014-048-21	
SCREW PAN HEAD 6X12 (Ref # 18)	220B0612	
WASHER SPRING 6MM (Ref # 19)	461F0600	
WASHER PLAIN 6MM (Ref # 20)	411B0600	
CLAMP,OIL TANK BREATR (Ref # 21)	92037-141	