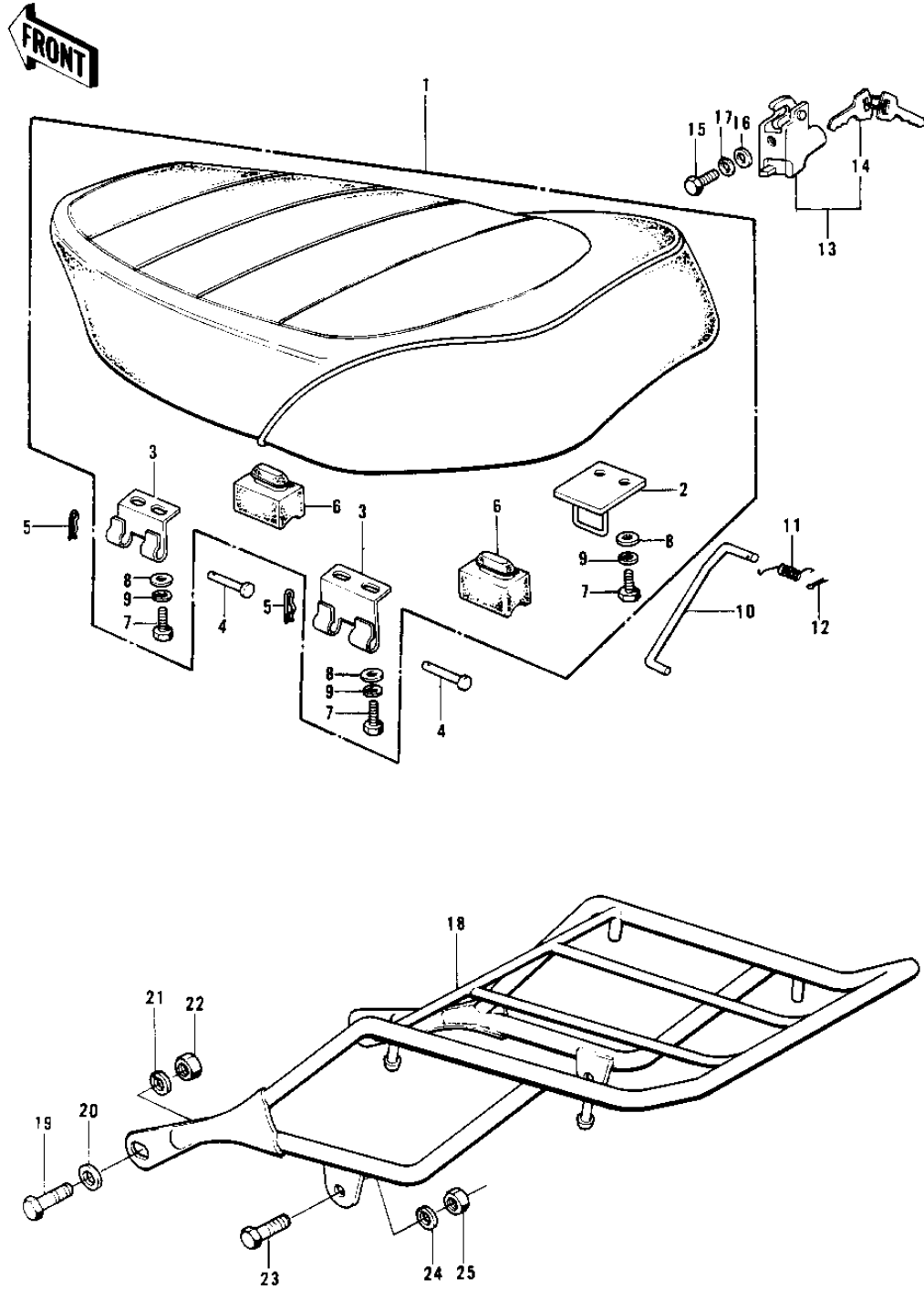


# 1970 Trail Boss PARTS DIAGRAM

SEAT/CARRIER ('74-'75)



# 1970 Trail Boss PARTS LIST

SEAT/CARRIER ('74-'75)

ITEM NAME	PART NUMBER	QUANTITY
SEAT ASSY,DUAL (Ref # 1)	53002-052	1
SEAT ASSY,DUAL (Ref # 1)	53002-1017	1
SEAT ASSY,DUAL (Ref # 1)	53002-1017	1
HOOK,SEAT (Ref # 2)	53008-020	1
HINGE B (Ref # 3)	53009-018	2
PIN (Ref # 4)	53011-002	2
COTTER PIN (Ref # 5)	92041-003	2
DAMPER RUBBER,SEAT (Ref # 6)	92075-216	4
BOLT-UPSET 6X14 (Ref # 7)	112B0614	6
WASHER PLAIN 6MM (Ref # 8)	411B0600	6
WASHER SPRING 6MM (Ref # 9)	461F0600	6
STAND,SEAT (Ref # 10)	53054-003	1
SPRING,SEAT HOOK (Ref # 11)	53055-001	1
PIN COTTER 2.0X15 (Ref # 12)	550D2015	1
LOCK ASSY,SEAT (Ref # 13)	53045-014	1
KEY SET,#401 (Ref # 14)	27008-063-01	1
KEY SET,#410 (Ref # 14)	27008-063-10	1
BOLT-UPSET,6X12 (Ref # 15)	112G0612	1
WASHER PLAIN 6MM (Ref # 16)	411B0600	1
WASHER SPRING 6MM (Ref # 17)	461F0600	1
CARRIER,LUGGAGE (Ref # 18)	53029-050	1
BOLT HEX HEAD 10X35 (Ref # 19)	113N1035	2
WASHER PLAIN 10MM (Ref # 20)	411B1000	2
WASHER SPRING 10MM (Ref # 21)	461F1000	2
NUT 10MM (Ref # 22)	315B1000	2
BOLT-SMALL,8X32 (Ref # 23)	114N0832	2
WASHER SPRING 8MM (Ref # 24)	461F0800	2
NUT,8MM (Ref # 25)	311B0800	2