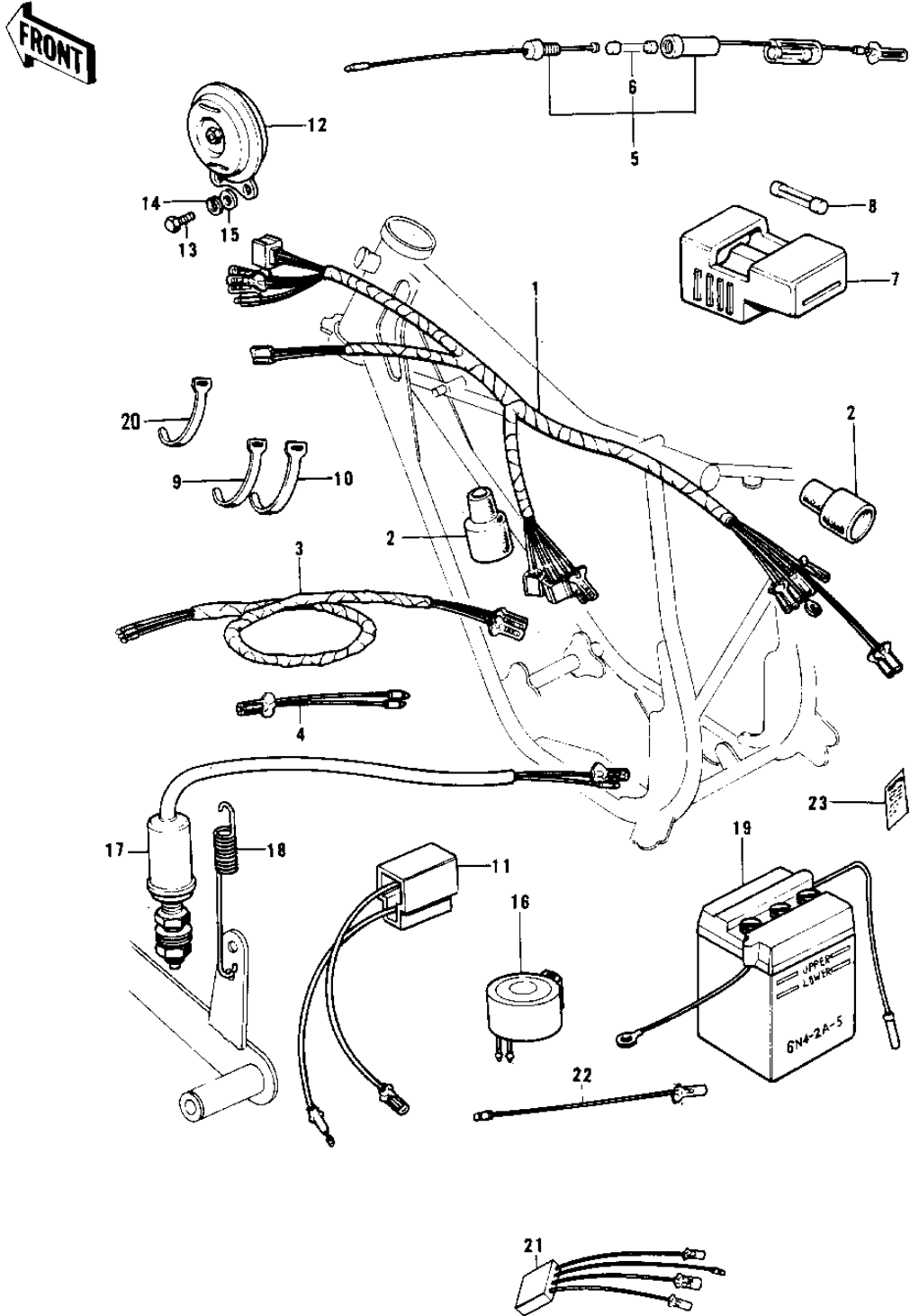


1975 G4TR-E PARTS DIAGRAM

CHASSIS ELECTRICAL EQUIPMENT ('74-'75)



1975 G4TR-E PARTS LIST

CHASSIS ELECTRICAL EQUIPMENT ('74-'75)

| ITEM NAME | PART NUMBER | QUANTITY |
|----------------------------------|-------------|----------|
| WIRING HARNESS,MAIN (Ref # 1) | 26001-105 | 1 |
| COVER WIRING HARNESS (Ref # 2) | 26009-003 | 2 |
| WIRING HARNESS-REAR (Ref # 3) | 26002-037 | 1 |
| LEAD WIRE (Ref # 4) | 26011-042 | 1 |
| FUSE ASSY (Ref # 5) | 26004-017 | 1 |
| FUSE 10A (Ref # 6) | 26006-003 | 2 |
| HOLDER,SPARE FUSE (Ref # 7) | 26016-003 | 1 |
| FUSE 10A (Ref # 8) | 26006-003 | 2 |
| BAND,SHORT (Ref # 9) | 92072-030 | 9 |
| BAND,LONG (Ref # 10) | 92072-032 | 4 |
| WIRE,RECTIFIER LEAD (Ref # 11) | 26011-074 | 1 |
| HORN (Ref # 12) | 27003-060 | 1 |
| HORN (Ref # 12) | 27003-060 | 1 |
| SCREW PAN HEAD 6X14 (Ref # 13) | 220B0614 | 2 |
| WASHER SPRING 6MM (Ref # 14) | 461F0600 | 2 |
| WASHER PLAIN 6MM (Ref # 15) | 411B0600 | 2 |
| RELAY-TURN SIGNAL (Ref # 16) | 27002-013 | 1 |
| SWITCH-BRAKE LAMP (Ref # 17) | 27010-020 | 1 |
| SWITCH-BRAKE LAMP (Ref # 17) | 27010-015 | 1 |
| SPRING BRAKE LAMP SW (Ref # 18) | 27011-004 | 1 |
| YUA BAT 6N4-2A-5 (Ref # 19) | K26012-020 | 1 |
| BAND,MIDDLE (Ref # 20) | 92072-031 | 1 |
| WIRING HARNESS,REAR (Ref # 21) | 26002-056 | 1 |
| WIRE,LEAD (Ref # 22) | 26011-094 | 1 |
| LABEL-WARNING,BATTERY (Ref # 23) | 56040-1036 | 1 |