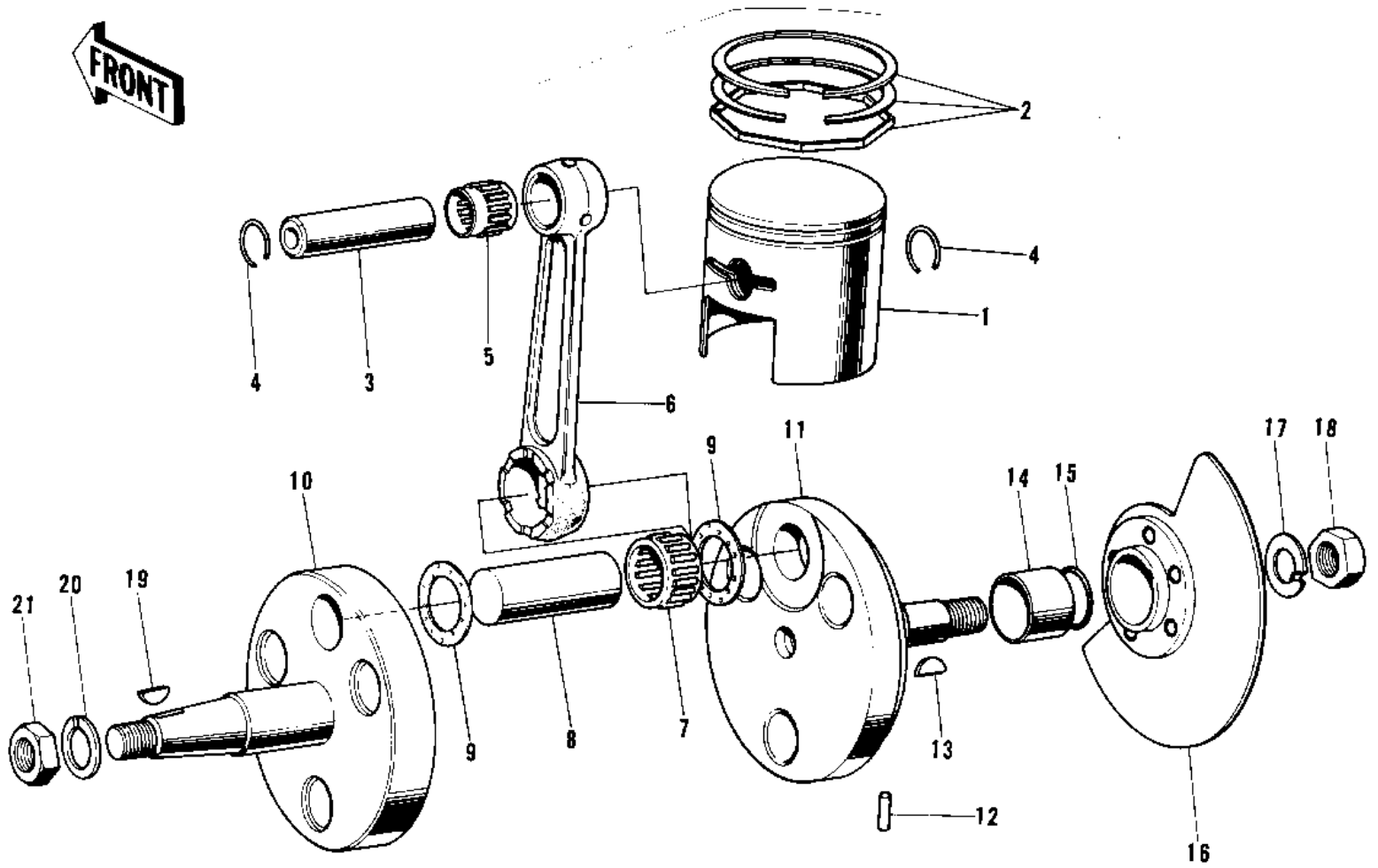


1972 G5 PARTS DIAGRAM

CRANKSHAFT/PISTON/ROTARY VALVE ('72-'73)



1972 G5 PARTS LIST

CRANKSHAFT/PISTON/ROTARY VALVE ('72-'73)

ITEM NAME	PART NUMBER	QUANTITY
PISTON STD (Ref # 1)	13001-037	1
RING SET,STD. (Ref # 2)	13008-035	1
PIN-PISTON (Ref # 3)	13002-007	1
CIRCLIP PISTON PIN (Ref # 4)	92036-007	2
BRG N72KTV030 (Ref # 5)	13033-028	1
CONNECTING ROD SET (Ref # 6~9)	13044-019	1
CRANK&CONROD ASSY (Ref # 6~11)	13036-034	1
NEEDLE BEARING-BG END (Ref # 7)	13034-025	1
CRANK PIN (Ref # 8)	13035-025	1
WASHER-SIDE (Ref # 9)	92025-047	2
CRANKSHAFT,L.H (Ref # 10)	13037-044	1
CRANKSHAFT,R.H (Ref # 11)	13038-040	1
PIN DOWEL 4X10 (Ref # 12)	610A0410	1
WOODRUFF KEY PRY PINI (Ref # 13)	92038-003	1
COLLAR CRANKSHAFT (Ref # 14)	92027-022	1
"O" RING,16MM (Ref # 15)	670B2016	1
VALVE ROTARY DISC (Ref # 16)	12001-004	1
WASHER LOCK 12MM (Ref # 17)	92024-003	1
NUT 12MM (Ref # 18)	92015-006	1
WOODRUFF KEY (Ref # 19)	510A3200	1
WASHER SPRING 10MM (Ref # 20)	461F1000	1
NUT,10MM (Ref # 21)	314B1000	1