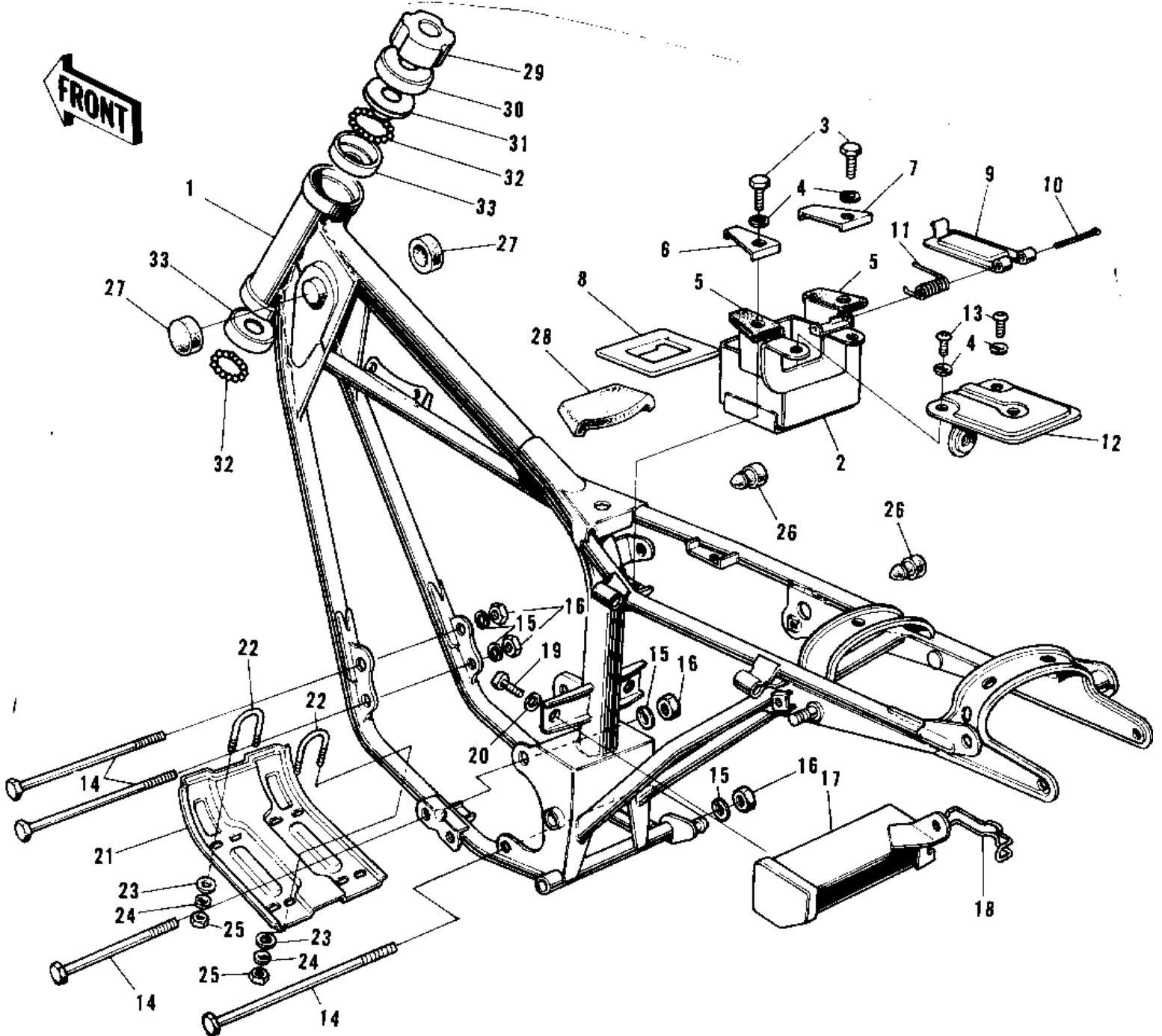


# 1975 G5-C PARTS DIAGRAM

FRAME/FRAME FITTINGS ('72-'73 G5-A)



# 1975 G5-C PARTS LIST

FRAME/FRAME FITTINGS ('72-'73 G5-A)

ITEM NAME	PART NUMBER	QUANTITY
FRAME (Ref # 1)	32002-050	
CASE-BATTERY (Ref # 2)	32097-021	
BOLT-UPSET (Ref # 3)	112G0618	
BOLT-UPSET (Ref # 3)	112G0618	
WASHER SPRING 6MM (Ref # 4)	461F0600	
DAMPER RUBBER (Ref # 5)	92075-108	
PLATE-BATTERY CASE,LH (Ref # 6)	32101-003	
PLATE-BATTERY CASE,RH (Ref # 7)	32101-004	
MAT-BATTERY (Ref # 8)	32103-024	
BAND-BATTERY (Ref # 9)	92072-037	
PIN-COTTER,2.5X35 (Ref # 10)	550D2535	
SPRING-RETURN (Ref # 11)	92083-017	
BRACKET-TRN SGNL RELY (Ref # 12)	32064-007	
SCREW PAN HEAD 6X10 (Ref # 13)	220B0610	
BOLT,FLANGED,10X115 (Ref # 14)	92001-1603	
WASHER SPRING 10MM (Ref # 15)	461F1000	
NUT,10MM (Ref # 16)	314B1000	
CASE-TOOL (Ref # 17)	32098-018	
FASTENER-TOOL CASE (Ref # 18)	92079-002	
BOLT-UPSET 6X14 (Ref # 19)	112B0614	
WASHER PLAIN 6MM (Ref # 20)	411B0600	
GUARD-ENGINE (Ref # 21)	55011-014	
BOLT-ENGINE GUARD (Ref # 22)	92096-001	
WASHER PLAIN 6MM (Ref # 23)	410B0600	
WASHER SPRING 6MM (Ref # 24)	461F0600	
NUT 6MM (Ref # 25)	311B0600	
GROMMET (Ref # 26)	92071-056	
DAMPER RUBBER-FL TANK (Ref # 27)	92075-101	
DAMPER RUBBER-FL TANK (Ref # 28)	92075-106	

# 1975 G5-C PARTS LIST

FRAME/FRAME FITTINGS ('72-'73 G5-A)

ITEM NAME	PART NUMBER	QUANTITY
NUT STEERING STEM LCK (Ref # 29)	92090-006	
CAP STEERING STEM (Ref # 30)	46098-004	
CONE UPPER BEARING (Ref # 31)	92047-005	
BALL STEEL 3/16' (Ref # 32)	600A0600	
RACE BEARING (Ref # 33)	92048-004	