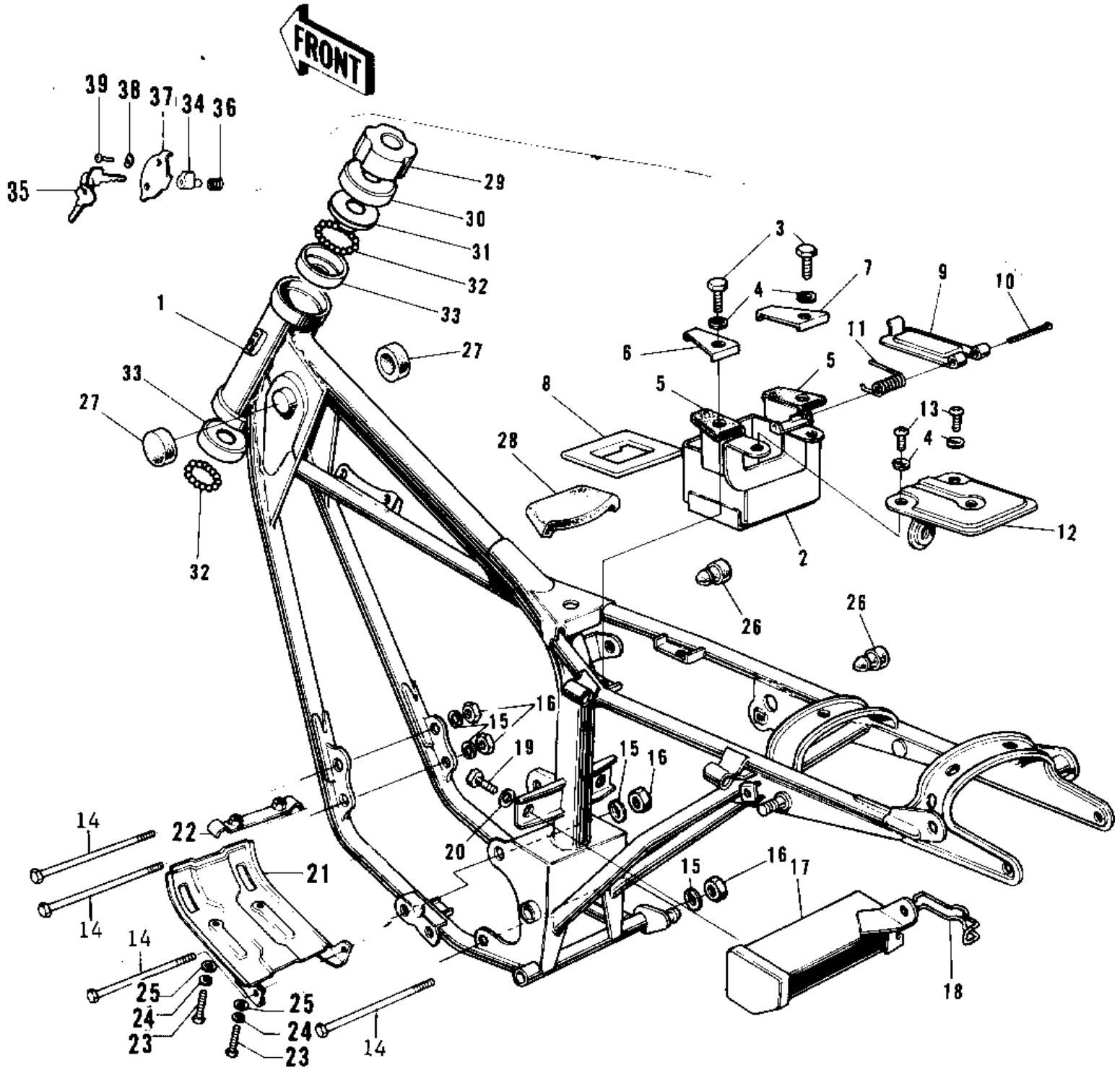


1972 G5 PARTS DIAGRAM

FRAME/FRAME FITTINGS (G5-A)



1972 G5 PARTS LIST

FRAME/FRAME FITTINGS (G5-A)

ITEM NAME	PART NUMBER	QUANTITY
FRAME (Ref # 1)	32002-057	1
CASE-BATTERY (Ref # 2)	32097-021	1
BOLT-UPSET (Ref # 3)	112G0618	2
BOLT-UPSET (Ref # 3)	112G0618	AL
WASHER SPRING 6MM (Ref # 4)	461F0600	4
DAMPER RUBBER (Ref # 5)	92075-108	2
PLATE-BATTERY CASE,LH (Ref # 6)	32101-003	1
PLATE-BATTERY CASE,RH (Ref # 7)	32101-004	1
MAT-BATTERY (Ref # 8)	32103-024	1
BAND-BATTERY (Ref # 9)	92072-037	1
PIN-COTTER,2.5X35 (Ref # 10)	550D2535	1
SPRING-RETURN (Ref # 11)	92083-017	1
BRACKET-TRN SGNL RELY (Ref # 12)	32064-007	1
SCREW PAN HEAD 6X10 (Ref # 13)	220B0610	2
BOLT,FLANGED,10X115 (Ref # 14)	92001-1603	4
WASHER SPRING 10MM (Ref # 15)	461F1000	4
NUT,10MM (Ref # 16)	314B1000	4
CASE-TOOL (Ref # 17)	32098-018	1
FASTENER-TOOL CASE (Ref # 18)	92079-002	1
BOLT-UPSET 6X14 (Ref # 19)	110B0614	2
BOLT-UPSET 6X14 (Ref # 19)	112B0614	AL
WASHER PLAIN 6MM (Ref # 20)	411B0600	2
GUARD,ENGINE (Ref # 21)	55011-018	1
BRACKET,ENGINE GUARD (Ref # 22)	55016-007	1
BOLT-UPSET 6X14 (Ref # 23)	112B0614	2
BOLT-UPSET 6X14 (Ref # 23)	112B0614	AL
WASHER SPRING 6MM (Ref # 24)	461F0600	2
WASHER PLAIN 6MM (Ref # 25)	410B0600	2
GROMMET (Ref # 26)	92071-056	3

1972 G5 PARTS LIST

FRAME/FRAME FITTINGS (G5-A)

ITEM NAME	PART NUMBER	QUANTITY
DAMPER RUBBER-FL TANK (Ref # 27)	92075-101	2
DAMPER RUBBER-FL TANK (Ref # 28)	92075-106	1
NUT STEERING STEM LCK (Ref # 29)	92090-006	1
CAP STEERING STEM (Ref # 30)	46098-004	1
CONE UPPER BEARING (Ref # 31)	92047-005	1
BALL STEEL 3/16' (Ref # 32)	600A0600	46
RACE BEARING (Ref # 33)	92048-004	2
LOCK ASSY-STEERING (Ref # 34,35)	27016-029	1
KEY SET-STRNG #270 (Ref # 35)	27018-015-70	1
KEY SET-STRNG #271 (Ref # 35)	27018-015-71	1
KEY SET-STRNG #272 (Ref # 35)	27018-015-72	1
KEY SET-STRNG #273 (Ref # 35)	27018-015-73	1
KEY SET-STRNG #274 (Ref # 35)	27018-015-74	1
SPRING-STEERING LOCK (Ref # 36)	27032-001	1
CAP,STEERING LOCK (Ref # 37)	11012-1134	1
WASHER (Ref # 38)	92097-003	1
SCREW-TAPPING (Ref # 39)	92008-007	1