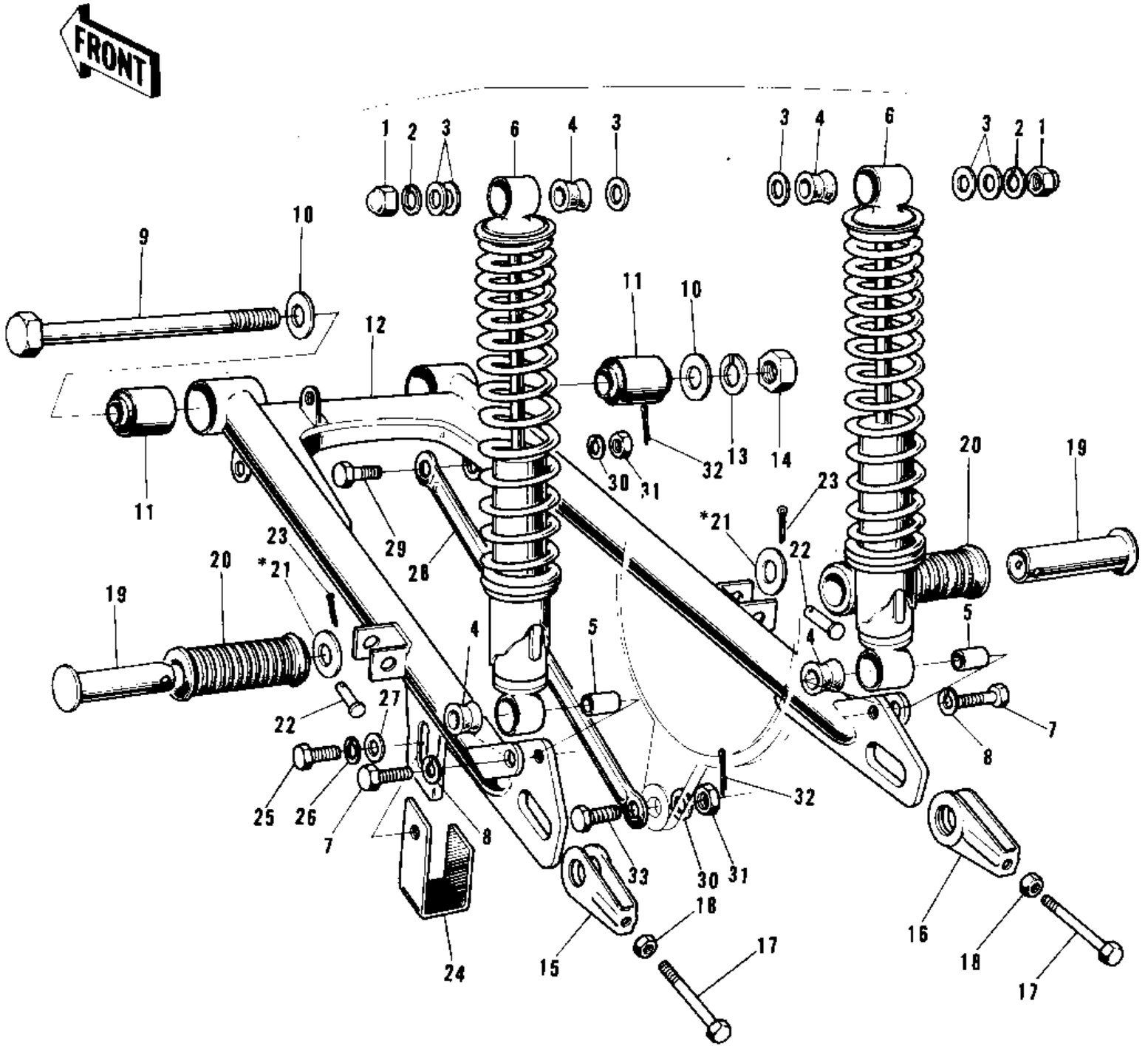


1973 G5-A PARTS DIAGRAM

SWING ARM/SHOCK ABSORBERS (72-73 G5-A)



1973 G5-A PARTS LIST

SWING ARM/SHOCK ABSORBERS (72-73 G5-A)

ITEM NAME	PART NUMBER	QUANTITY
NUT 12MM (Ref # 1)	92020-014	
WASHER SPRING 12MM (Ref # 2)	461F1200	
WASHER PLAIN 12MM (Ref # 3)	410B1200	
BUSHING,RUBBER (Ref # 4)	92075-1020	
BUSH SHCK ABS PVT SFT (Ref # 5)	45016-003	
SHOCK ABSBR RR (Ref # 4~6)	45014-068	
SHOCK ABSBR RR (Ref # 4~6)	45014-074	
BOLT HEX HEAD 10X35 (Ref # 7)	113N1035	
WASHER SPRING 10MM (Ref # 8)	461F1000	
SHAFT-SWING ARM PIVOT (Ref # 9)	33032-034	
WASHER PLAIN 12MM (Ref # 10)	410B1200	
BUSH SWING ARM SHAFT (Ref # 11)	92092-005	
ARM-SWING (Ref # 12)	33001-041	
ARM-SWINGING (Ref # 12)	33001-047	
WASHER SPRING 12MM (Ref # 13)	461F1200	
NUT-HEX-FINE (Ref # 14)	314B1200	
ADJUSTER-CHAIN,L.H. (Ref # 15)	33040-045	
ADJUSTER-CHAIN,R.H. (Ref # 16)	33040-046	
BOLT,8X50 (Ref # 17)	92001-1399	
NUT 8MM (Ref # 18)	312B0800	
BAR-RR FOOTREST (OPT) (Ref # 19)	34028-009	
RUBBER,REAR FOOTREST (Ref # 20)	92076-024	
WASHER-PLAIN (OPT) (Ref # 21)	92022-199	
PIN (Ref # 22)	92043-1464	
PIN COTTER 2.0X15 (Ref # 23)	550D2015	
GUARD-CHAIN (Ref # 24)	55020-007	
BOLT-SMALL-UPSET,8X16 (Ref # 25)	115G0816	
WASHER SPRING 8MM (Ref # 26)	461F0800	
WASHER PLAIN 8MM (Ref # 27)	410B0800	

1973 G5-A PARTS LIST

SWING ARM/SHOCK ABSORBERS (72-73 G5-A)

ITEM NAME	PART NUMBER	QUANTITY
TORQUE LINK-RR BRAKE (Ref # 28)	43007-028	
BOLT TORQUE LINK FIT (Ref # 29)	92003-017	
WASHER SPRING 10MM (Ref # 30)	461F1000	
NUT,10MM (Ref # 31)	314B1000	
PIN COTTER 2.0X15 (Ref # 32)	550D2015	
BOLT HEX HEAD 10X25 (Ref # 33)	92003-003	