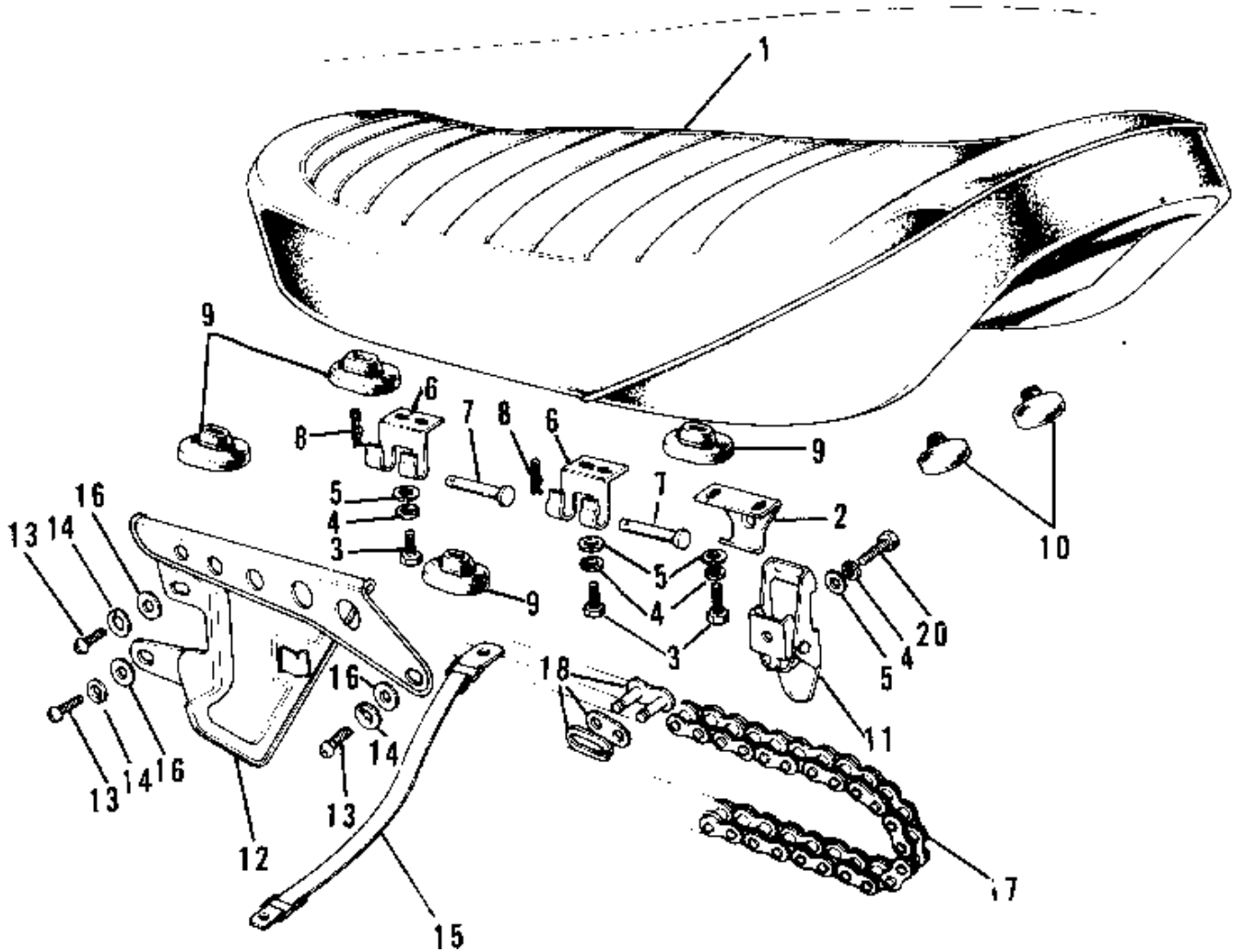


1974 G5-B PARTS DIAGRAM

SEAT/CHAIN COVER/CHAIN (72-'73 G5-A)



1974 G5-B PARTS LIST

SEAT/CHAIN COVER/CHAIN ('72-'73 G5-A)

| ITEM NAME | PART NUMBER | QUANTITY |
|---|--------------|----------|
| SEAT ASSY-DUAL (Ref # 1~10) | 53002-034 | |
| SEAT ASSY-DUAL (Ref # 1~10) | 53002-039 | |
| HOOK (Ref # 2) | 53008-013 | |
| BOLT-UPSET,6X12 (Ref # 3) | 112G0612 | |
| BOLT-UPSET,6X12 (Ref # 3) | 112G0612 | |
| WASHER SPRING 6MM (Ref # 4) | 461F0600 | |
| WASHER PLAIN 6MM (Ref # 5) | 411B0600 | |
| HINGE,BLACK (Ref # 6) | 53009-017-10 | |
| PIN (Ref # 7) | 53011-002 | |
| COTTER PIN (Ref # 8) | 92041-003 | |
| DAMPER RUBB DUAL SEAT (Ref # 9) | 92075-023 | |
| DAMPER RUBBER (Ref # 10) | 92075-099 | |
| HOOK ASSY (Ref # 11) | 53045-002 | |
| CASE-CHAIN,FR BLACK (Ref # 12) | 36014-043-21 | |
| SCREW PAN HEAD 6X12 (Ref # 13) | 220B0612 | |
| WASHER SPRING 6MM (Ref # 14) | 461F0600 | |
| BAND-SEAT STOPPER (Ref # 15) | 92072-038 | |
| WASHER PLAIN 6MM (Ref # 16) | 411B0600 | |
| UNAVAILABLE IN PRICE BOOK (Ref # 17,18) | 695W43110 | |
| JOINT-CHAIN (Ref # 18) | 92058-1014 | |
| BOLT-UPSET,6X16 (Ref # 20) | 112G0616 | |