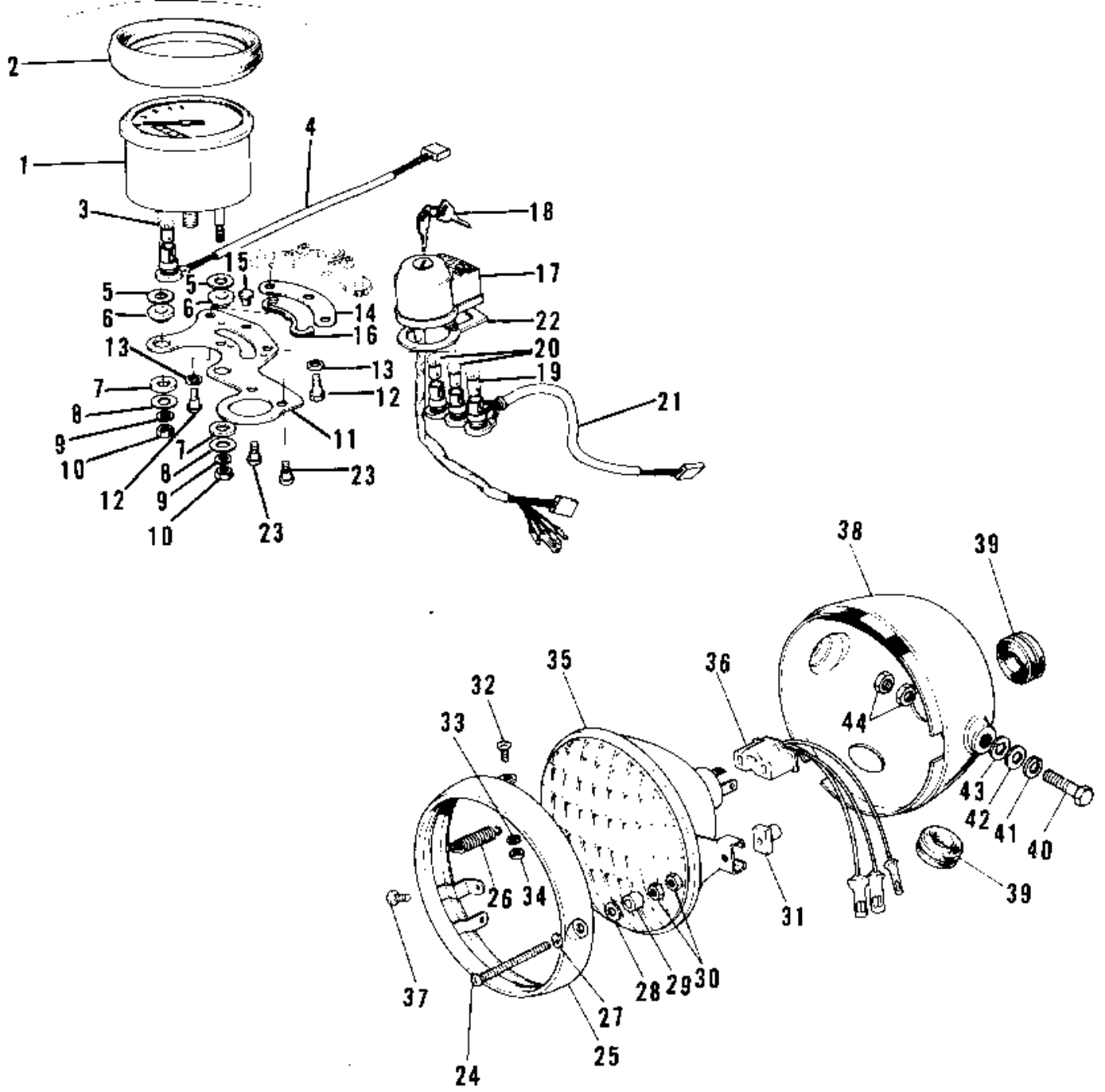


# 1972 G5 PARTS DIAGRAM

METERS/HEADLIGHT ('72-'73 G5-A)



# 1972 G5 PARTS LIST

METERS/HEADLIGHT ('72-'73 G5-A)

ITEM NAME	PART NUMBER	QUANTITY
SPEEDOMETER ASSY,MPH (Ref # 1~4)	25001-051	1
SPEEDOMETER ASSY,MPH (Ref # 1~4)	25001-051	1
COVER-SPEEDOMETER (Ref # 2)	25012-003	1
BULB-6V 3W (Ref # 3)	92069-053	1
SOCKET-SPEEDOMETER (Ref # 4)	25011-022	1
WASHER PLAIN 8MM (Ref # 5)	411B0800	2
DAMPER RUBBER (Ref # 6)	92075-065	2
DAMPER RUBBER (Ref # 7)	92075-066	2
WASHER PL 5.5X20X1.2 (Ref # 8)	92022-104	2
WASHER SPRING 5MM (Ref # 9)	461F0500	2
NUT,5MM (Ref # 10)	311B0500	2
BRACKET-SPEEDOMETER (Ref # 11)	25008-016	1
BOLT-HEX HEAD,6MM (Ref # 12)	92003-069	3
WASHER PLAIN 8MM (Ref # 13)	410B0800	3
DAMPER RUBBER-BRACKET (Ref # 14)	25019-007	1
DAMPER RUBB SPEEDMETR (Ref # 15)	92075-035	1
SHOCK DAMPER (Ref # 16)	25019-009	1
SWITCH ASSY,IGNITION (Ref # 17,18)	27005-067	1
KEY SET,#170 (Ref # 18)	27008-042-70	1
KEY SET,#171 (Ref # 18)	27008-042-71	1
KEY SET,#172 (Ref # 18)	27008-042-72	1
KEY SET,#173 (Ref # 18)	27008-042-73	1
KEY SET,#174 (Ref # 18)	27008-042-74	1
BULB-6V 3W (Ref # 19)	92069-053	1
BULB 6V 1.5W (Ref # 20)	92069-024	2
SOCKET-IGNITION SW. (Ref # 21)	27024-001	1
DAMPER RUBBER-SWITCH (Ref # 22)	27025-001	1
SCREW-PAN HEAD,6MM (Ref # 23)	92011-026	2
LAMP UNIT HEAD (Ref # 24~37)	23003-009	1

# 1972 G5 PARTS LIST

METERS/HEADLIGHT ('72-'73 G5-A)

ITEM NAME	PART NUMBER	QUANTITY
SCREW ADJUST (Ref # 24)	23019-013	1
RIM HEAD LAMP (Ref # 25)	23006-020	1
SPRING LENS FITTING (Ref # 26)	23014-008	2
WASHER-FOCUS ADJUST (Ref # 27)	23021-008	1
WASHER ADJUST (Ref # 28)	23021-007	1
WASHER FITTING (Ref # 29)	23058-001	1
NUT ADJUST (Ref # 30)	23020-013	2
NUT ADJUST (Ref # 31)	23020-012	1
SCREW FITTING (Ref # 32)	23019-014	2
WASHER SPRING 4MM (Ref # 33)	461F0400	2
NUT,4MM (Ref # 34)	311B0400	2
SEALED BEAM UNIT (Ref # 35)	23007-023	1
SOCKET ASSY,HD LIGHT (Ref # 36)	23008-044	1
SCREW OVL CNTSNK 5X8 (Ref # 37)	222E0508A	1
CASE-HEAD LAMP,BLACK (Ref # 38)	23005-021-21	1
GROMMET WIRING HARNES (Ref # 39)	23023-007	2
BOLT,HEX HEAD,10X25 (Ref # 40)	92007-045	2
WASHER SPRING 10MM (Ref # 41)	461F1000	2
WASHER PLAIN 10MM (Ref # 42)	411B1000	2
WASHER LOCK 10MM (Ref # 43)	463H1000	2
NUT 10MM (Ref # 44)	92016-027	2