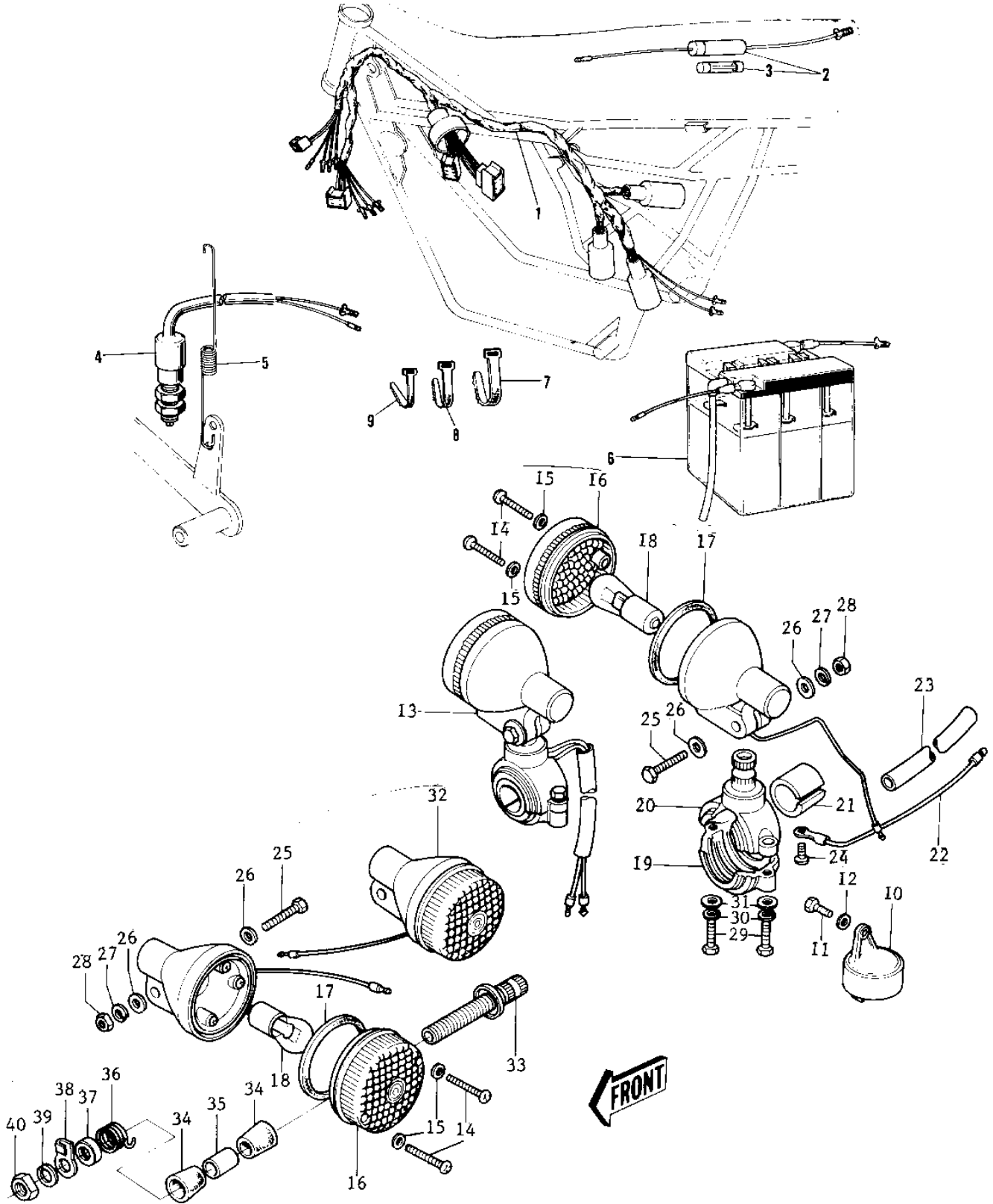


1972 G5 PARTS DIAGRAM

TURN SIGNALS/CHASSIS ELECTRICAL EQUIPMEN



1972 G5 PARTS LIST

TURN SIGNALS/CHASSIS ELECTRICAL EQUIPMEN

| ITEM NAME | PART NUMBER | QUANTITY |
|----------------------------------|-------------|----------|
| WIRING HARNESS-MAIN (Ref # 1) | 26001-063 | 1 |
| FUES ASSY (Ref # 2) | 26004-008 | 1 |
| FUSE 10A (Ref # 3) | 26006-003 | 2 |
| SWITCH-BRAKE LAMP (Ref # 4) | 27010-015 | 1 |
| SPRING-BRAKE LAMP SW (Ref # 5) | 27011-011 | 1 |
| YUA BAT 6N4-2A-3 (Ref # 6) | K26012-006 | 1 |
| BAND,SHORT (Ref # 7) | 92072-030 | 2 |
| BAND,MIDDLE (Ref # 8) | 92072-031 | 1 |
| BAND,LONG (Ref # 9) | 92072-032 | 3 |
| RELAY-TURN SIGNAL (Ref # 10) | 27002-015 | 1 |
| BOLT-UPSET 6X14 (Ref # 11) | 112B0614 | 1 |
| BOLT-UPSET 6X14 (Ref # 11) | 112B0614 | AL |
| WASHER 6.5X20X1.6T (Ref # 12) | 92022-125 | 1 |
| LAMP ASY-FR TURN SIG (Ref # 13) | 23037-005 | 2 |
| SCREW-PAN HEAD,4X20 (Ref # 14) | 220E0420A | 8 |
| WASHER-PLAIN,4MM (Ref # 15) | 23058-002 | 8 |
| LENS,TURN SIGNAL LAMP (Ref # 16) | 23048-1001 | 4 |
| GASKET-SIG LAMP LENS (Ref # 17) | 23050-003 | 4 |
| BULB,6V 21CP (Ref # 18) | 92069-056 | 4 |
| BRACKET,SIGNAL LAMP (Ref # 19) | 23051-1013 | 2 |
| BRACKET,FRNT TURN SIG (Ref # 20) | 23051-1004 | 2 |
| DAMPER RUBBER (Ref # 21) | 23066-003 | 2 |
| WIRE-TURN SIGNAL LEAD (Ref # 22) | 26011-061 | 2 |
| COVER-WIRING HARNESS (Ref # 23) | 26009-004 | 2 |
| SCREW PAN HEAD 3X5 (Ref # 24) | 220B0305A | 2 |
| BOLT-UPSET (Ref # 25) | 112G0630 | 4 |
| WASHER PLAIN 6MM (Ref # 26) | 410B0600 | 8 |
| WASHER SPRING 6MM (Ref # 27) | 461F0600 | 4 |
| NUT 6MM (Ref # 28) | 311B0600 | 4 |

1972 G5 PARTS LIST

TURN SIGNALS/CHASSIS ELECTRICAL EQUIPMEN

| ITEM NAME | PART NUMBER | QUANTITY |
|----------------------------------|-------------|----------|
| BOLT (Ref # 29) | 110N0516 | 4 |
| WASHER SPRING 5MM (Ref # 30) | 461F0500 | 4 |
| WASHER-PLAIN,5MM (Ref # 31) | 410D0500 | 4 |
| LAMP-REAR TURN SIGNAL (Ref # 32) | 23040-033 | 2 |
| BKT-RR SIGNAL LAMP (Ref # 33) | 23051-037 | 2 |
| DAMPER RUBBER (Ref # 34) | 92075-148 | 4 |
| COLLAR 12.7X17.3X30 (Ref # 35) | 92027-168 | 2 |
| SPRING (Ref # 36) | 92081-111 | 2 |
| WASHER CUP 12.5X35X4T (Ref # 37) | 92022-235 | 2 |
| CLAMP-RR SIGNAL LAMP (Ref # 38) | 92037-087 | 2 |
| WASHER SPRING 12MM (Ref # 39) | 461F1200 | 2 |
| NUT-HEX-FINE,12MM (Ref # 40) | 315B1200 | 2 |